

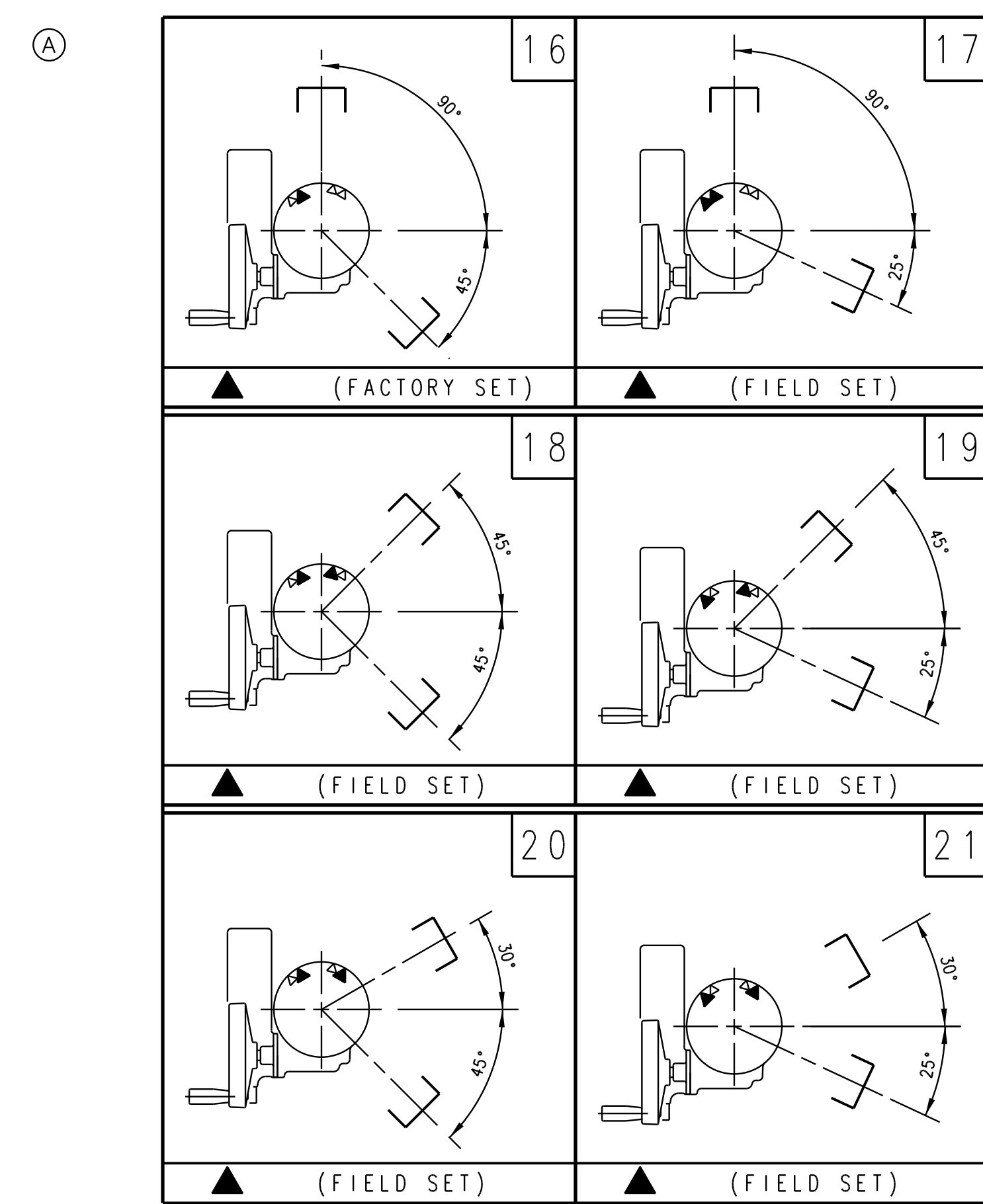
**HORIZONTAL (PAN) STOP POSITIONS**

- SHOWN ON ILLUSTRATIONS #1 THRU #37
- ▲ INDICATES REQUIRED LOCATIONS FOR STOP SCREW(S)  
ALL OTHER LOCATIONS REQUIRE PLUGS
  - INDICATES PROBABLE INTERFERENCE BETWEEN MONITOR DISCHARGE AND HORIZONTAL HANDWHEEL OR ELECTRIC MOTOR IF VERTICAL STOPS ARE SET IN POSITIONS 17, 20, or 23. EITHER RESET HORIZONTAL OR VERTICAL POSITIONS TO AVOID INTERFERENCE.
  - INDICATES PROBABLE INTERFERENCE BETWEEN MONITOR DISCHARGE AND HORIZONTAL HANDWHEEL IF VERTICAL STOPS ARE SET IN POSITIONS 17, 20, or 23. EITHER RESET HORIZONTAL OR VERTICAL POSITIONS TO AVOID INTERFERENCE.
  - ⊗ INDICATES PROBABLE INTERFERENCE BETWEEN MONITOR DISCHARGE AND HORIZONTAL ELECTRIC MOTOR IF VERTICAL STOPS ARE SET IN POSITIONS 17, 20, or 23. EITHER RESET HORIZONTAL OR VERTICAL POSITIONS TO AVOID INTERFERENCE.

**VERTICAL (TILT) STOP POSITIONS**

SHOWN ON ILLUSTRATIONS #16 THRU #21

▲ INDICATES REQUIRED LOCATIONS FOR STOP SCREW(S)  
ALL OTHER LOCATIONS REQUIRE PLUGS



**NOTES:**

- (1) STOP SCREWS SHOULD BE RE-SECURED WITH #242 LOCTITE IF MOVED.
- (2) STOP SCREWS HAVE THE LETTER "S" STAMPED IN THE CENTER OF THE HEX HEAD. PLUGS ARE BLANK.
- (3) STOP POSITIONS #3, #15, & #17 ARE SET AT FACTORY. ALL OTHER STOP POSITIONS CAN BE SET IN FIELD BY REPOSITIONING STOP SCREWS AND PLUGS AS NEEDED.
- (4) WHEN USING POSITIONS #1 & #5, REMOVE STOP SCREW FROM HOLE IN TOP ROW AND REPLACE WITH PLUG.

NO.	PART NO.	PART NAME	REQ.
<b>ELKHART BRASS MFG. CO., INC.</b> ELKHART, INDIANA			
STOP POSITION CHART FOR THE SCORPION RF & SPITFIRE ELECTRIC & HAND WHEEL MODELS OF BRASS MONITORS			
TRAVEL OPTIONS REMOVED INVALID VERTICAL	TAB 1309 06	DATE 10/03/11	
REL RELEASED TO PROD.	TAB 1110 03	DATE 10/03/11	
REV. WAS	BY E. C. N.	CHKD BY TAB	PART NO. 39073050
MATERIAL:		STANDARD TOLERANCE: 3 PLACE DEC. = ±.010 4 PLACE DEC. = ±.005 ANGLES = 20°-30°-0°	REMOVE ALL BURRS AND SHARP CORNERS UNLESS OTHERWISE SPECIFIED DO NOT SCALE PRINT