



FREE STANDING INLET

NPT OUTLET SIZE (Inches)	NUMBER OF 2.5" F NHT INLETS			CLAPPER TYPE		CERTI- FICATIONS		MEASUREMENTS (Inches)						AVAILABLE ESCUTCHEONS			FINISH		Weight (Lbs.)	MODEL	FIGURE
	2	3	4	Body (Drop)	Snoot	FM Approved	U.L. Listed	A	B	C	D	E	F	Auto-Spkr	Standpipe	Standpipe and Auto-Spkr	Polished Brass	Polished Chrome			
4.0	•			•		•	•	9 1/4	8 7/16	1/2	18 1/4	23 11/16	23 11/16	•	•	•	s	o	30	15-2W 4"*	1

Key s = standard o = option
 * Can order parts (sleeve or body with clapper) separately.

ADDITIONAL INFORMATION

- Each 2 1/2" NHT inlet has a rated flow of 250 gpm (946 lpm).
- Elkhart's sidewalk bodies are rated for 175 psi (12.1 bar).
- Supplied with plugs (#311) and chains.

THREADS

Unless otherwise noted, all hose threads are NHT. See index T-13 for available optional threads.

FIGURE 1

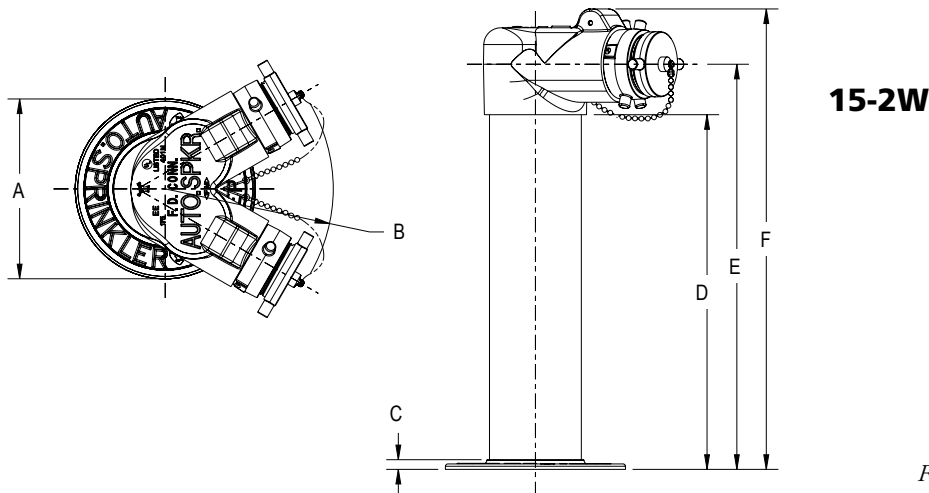


Fig. 1