

DATA SHEET

SkyStream™ EXM2 Monitor

Model 7500X2

Extreme flow, electric remote controlled water monitor (water cannon) for fire apparatus, industrial pumper, and aerial vehicles.

The SkyStream EXM2 provides an option for extreme flow applications. Utilizing the new EXM2 operating platform, the 7500X2 features built-in Wi-Fi for simple programming and setup. The EXM2 controls, both wired and wireless, provide improved performance and operator control. The EXM2 platform continues to incorporate heavy duty swivel joints and thrust rods for unprecedented durability.

The 7500X2 is offered with either a 4" ANSI or DN100 flanged inlet. Outlets are available in 5.0" NHT or BSPP threads.

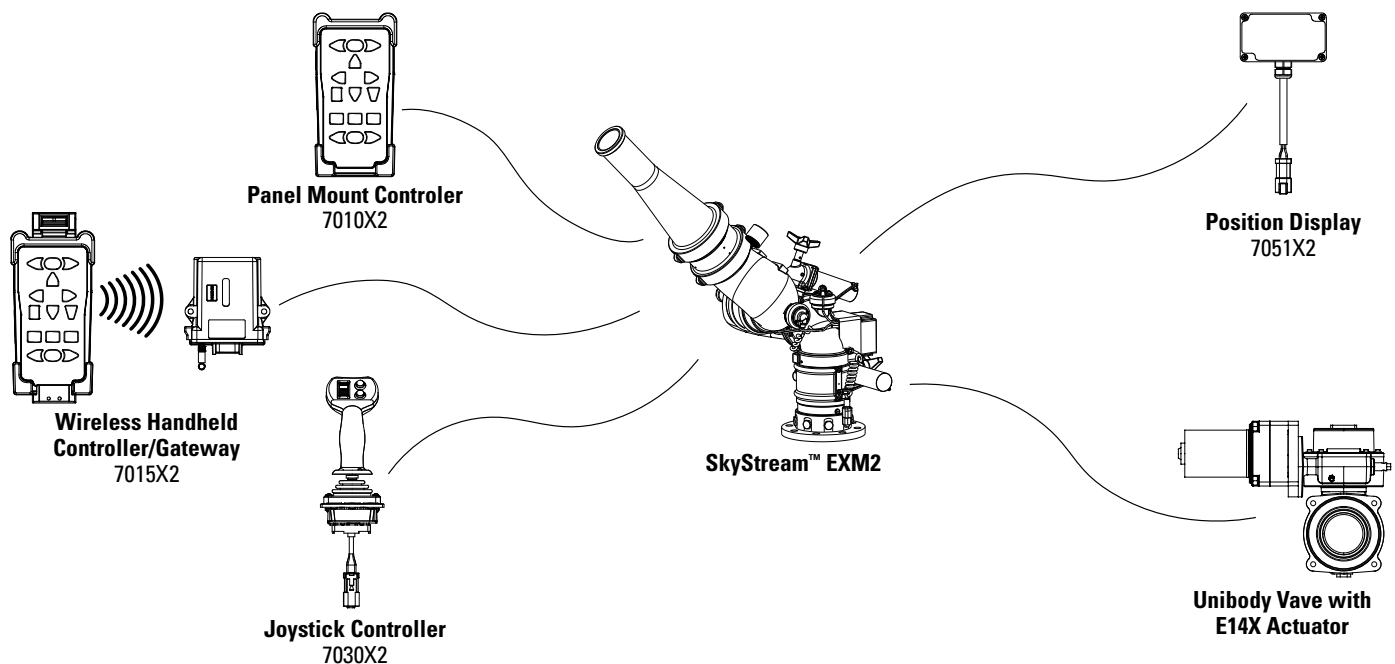


Mechanical Features

- 3000 GPM (12,000 LPM) Flow
- Motors and control components sealed to NEMA 4
- Axially aligned thrust bearings for extreme durability
- Absolute position sensors for precise control
- Manual override control in event of power failure
- Teflon impregnated, hard anodized aluminum alloy waterway
- Extreme torque motors

Control Features

- 12 or 24VDC Compatible
- Wired or wireless control options
- CANBUS J1939 compatible
- Programmable STOW, DEPLOY and OSCILLATION
- Programmable travel limits and keep out zones
- Programmable travel speeds
- Integrated water valve control



1-574-295-8330
www.elkhartbrass.com

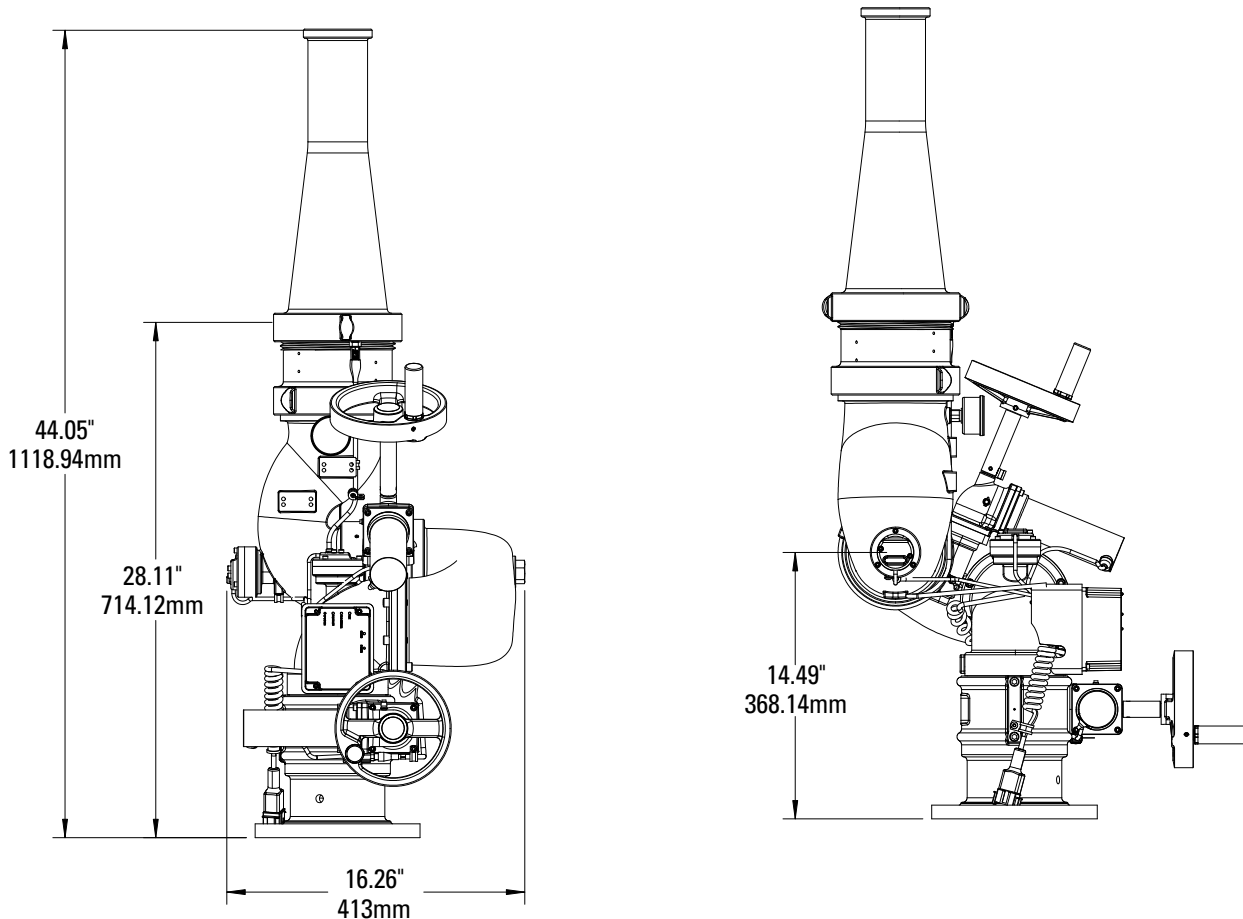
ELKHART BRASS
FIRE FIGHTING EQUIPMENT A SAFE FLEET BRAND

DATA SHEET

SkyStream EXM2 Monitor

Specifications

Model:	7500X2
Max Flow:	3000 GPM (12,000 LPM)
Max Pressure:	500 PSI (34.5 bar)
Inlet:	4" ANSI, DN100
Outlet:	5" Male NHT & BSPP
Travel:	Vertical: -45° to +90° (135°) Horizontal: L175 to R175 (350°)
Voltage:	12 or 24 VDC compatible
Control:	CANbus J1939
Communication:	915 MHz RF - FCC & IC 868 MHz RF - CE
Material/Finish:	Teflon impregnated, hard anodized Elk-O-Lite®
Stow Height:	20" (508mm) without optional handwheel
Weight:	58 lbs (26.3 kg)
Weight:	27 lbs (12.2 kg)

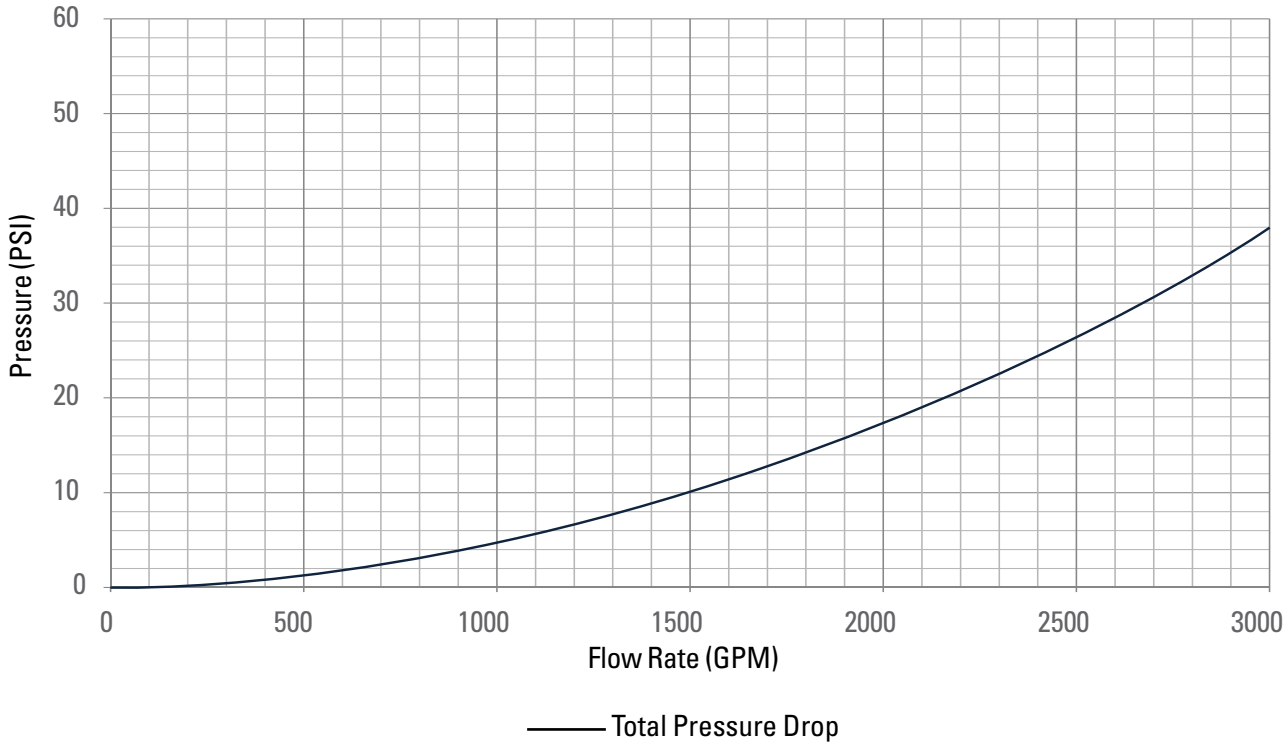


DATA SHEET

SkyStream EXM2 Monitor

7500X2 EXM2 Monitor Pressure Drop

4.0" Inlet and 5" Outlet



SkyStream Master Stream Nozzles

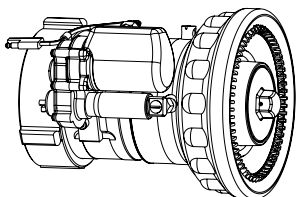
The SM-2000E is an electrically actuated master stream nozzle for use with the SkyStream EXM2 monitor. The X-Stream® series nozzles automatically adjust to maintain an effective stream and maximum reach at variable or reduced flows. Electric actuators are completely sealed and allow precise pattern control from straight stream to wide fog.

The 2 3/4" Smooth Bore nozzle is a custom nozzle specifically designed for use with the SkyStream EXM2. At 17" long, it is capable of providing a reach of 400 feet (120 meters) when 150 PSI is supplied to base of monitor.

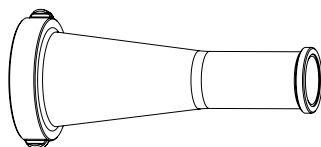
Electric Nozzle Specifications

Model	Inlet	Pressure PSI (BAR)	Flow Range - GPM (LPM)
SM-2000E*	3.5"	80 (5.6)	500-2000 (2000-8000)
181-5A	5"	80-120 (5.6 – 8.4)	500-3000 (2000-12000)

* Requires adapter P/N 11375001 for use with SM-2000E



SM-2000E



181-5A