

## Universal Seal Replacement Kit

For Elkhart Brass and Akron Brass Apparatus Valves

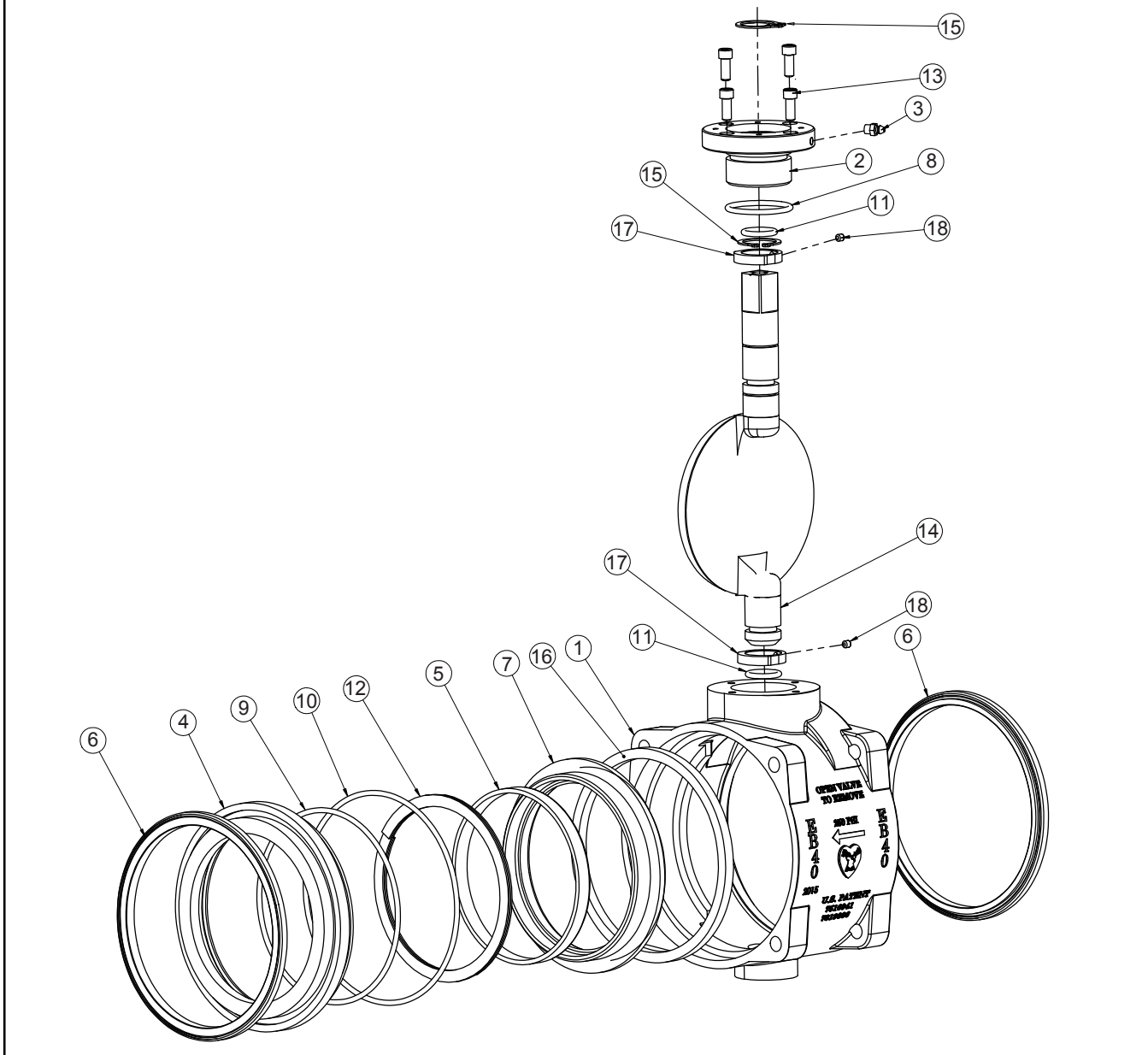
Part Number	Fits Elkhart Brass Unibody Valve Series	Fits Akron Brass Series
65476000	EB15/EB20	8620/8820 7620/7820
65478000	EB25	8625/8825 7625/7825
65480000	EB30/EB35	8630/8830/8635/8835 7630/7830/7635/7835
65482000	EB40	8840
<b>65986000</b>	<b>EB40 (2015)</b>	-

This service kit includes the parts required to replace the valve seat, the seat retaining ring O-rings and the adapter seals of either an Elkhart Brass Unibody series valve or an Akron Brass 8800 series valve.



**ELKHART BRASS MFG. CO., INC.**  
 1302 West Beardsley Avenue • Elkhart, IN 46514  
 (800) 346-0250 • (574) 295-8330  
[www.unibodyvalve.com](http://www.unibodyvalve.com)

**4" Valve Detail – Elkhart EB40 (2015)**



ITEM	DESCRIPTION	PART NUMBER	ITEM	DESCRIPTION	PART NUMBER
1	EB40 Body	17768001	10	O-Ring 5.734	57453000
2	Adapter - Gear Case	11733000	11	O-Ring .734	57459000
3	Fitting - Grease	32134000	12	Spring - Wave	61802000
4	Seat Retainer	58910000	13	Screw - Cap SS	61041000
5	Seat Ring	59172000	14	Clapper - Butterfly (2015)	20513001
6	Seat	65016000	15	Ring - Retaining	58953000
7	Seat - Valve (2015)	65024000	16	CAM - Follower	44413000
8	O-Ring 1.609	57317000	17	CAM - EB40 (2015)	44412000
9	O-Ring 5.234	57423000	18	Screw - CAP	61041000

**I. DISASSEMBLY**

1. Turn the valve to the closed position.
2. If the valve can be rotated out of line, remove three pairs of adapter bolts and loosen the fourth pair. Swing the valve out of the line. If the valve cannot be rotated out of line, remove all eight adapter bolts and take the valve out completely.

**NOTE: 4" Valves are directional. Note the orientation of the arrow on the side of the valve body indicating flow direction.**

3. Remove and discard both adapter seals (1).
4. Partially open the valve to allow access to the seat assembly (18).
5. Pull the entire seat assembly (18) out from the valve body.
6. Discard the seat (7), retaining ring inner O-ring(6) and retaining ring outer O-ring (3).

**II. INSPECTION AND CLEAN-UP**

1. Use a 10" or larger flat file to clean up the flat surface of the adapters and mating surfaces of the valve body. Remove any paint, corrosion or raised lip around the bolt holes.
2. Inspect the condition of the flat ball for burrs, nicks and sharp edges caused by debris. If found, carefully use fine emory paper to remove any condition which might cut the valve seat or otherwise impair sealing.

**CAUTION: Completely remove any grit or debris from the valve body before assembly.**

**III. REASSEMBLY**

**NOTE: Lubricate O-rings with Parker O-Ring Lube or equivalent petroleum-based lubricant.**

1. Install the new inner O-ring (6) and outer O-ring (3) on the retaining ring (2).
2. Reinsert the seat spring (4) into the cavity of the retaining ring (2).
3. Insert the seat support ring (5) into the new seat (7) with the chamfered edge to the inside of the seat.
4. Insert seat into the seat retaining ring (2).
5. Replace the entire assembly (18) into the valve body.
6. Insert the two new adapter seals (1) into the valve body.
7. Slide valve back into waterway.

**NOTE: 4" valves are directional. Note the orientation of the arrow on the side of the valve body indicating flow direction.**

**CAUTION: The ball must be in the open position before the adapter bolts are tightened.**

8. Tighten the adapter bolts evenly in an X pattern using 60-70 ft-lbs torque. **DO NOT OVERTIGHTEN.**

**MAINTENANCE INSTRUCTIONS**

Do not lubricate the ball or seats. Lubricants can collect dirt and grit which may cause excessive wear. Occasionally, flow water through all valves to clear dirt and debris.

**OPERATING INSTRUCTIONS**

Always open and close valves slowly. Do not exceed 500 psi.

**DISCLAIMER:** Any reference herein to other manufacturers' names and/or their trademarks is used only for comparison purposes or to indicate compatibility and is not in any way intended to indicate an association or affiliation with or sponsorship or approval by that manufacturer.