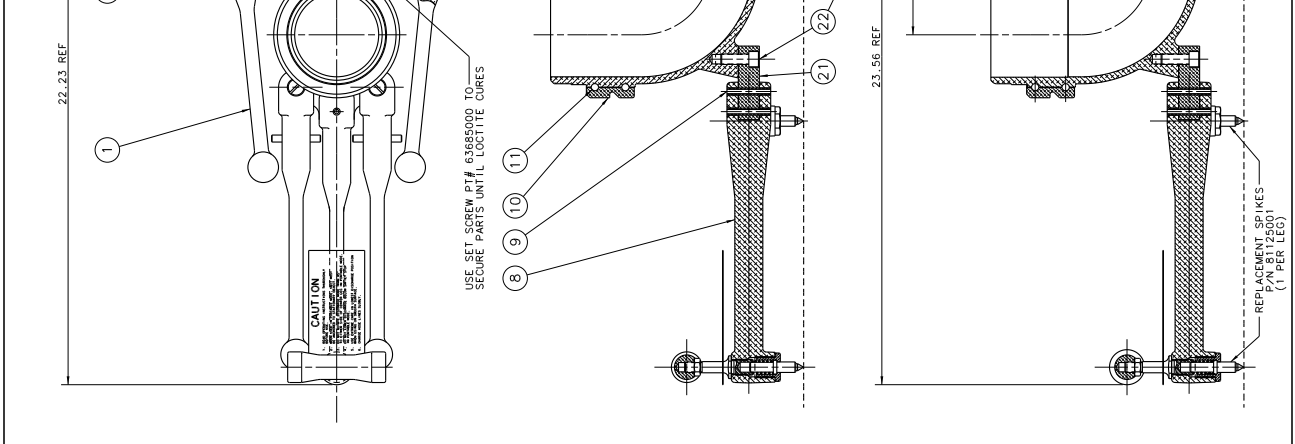
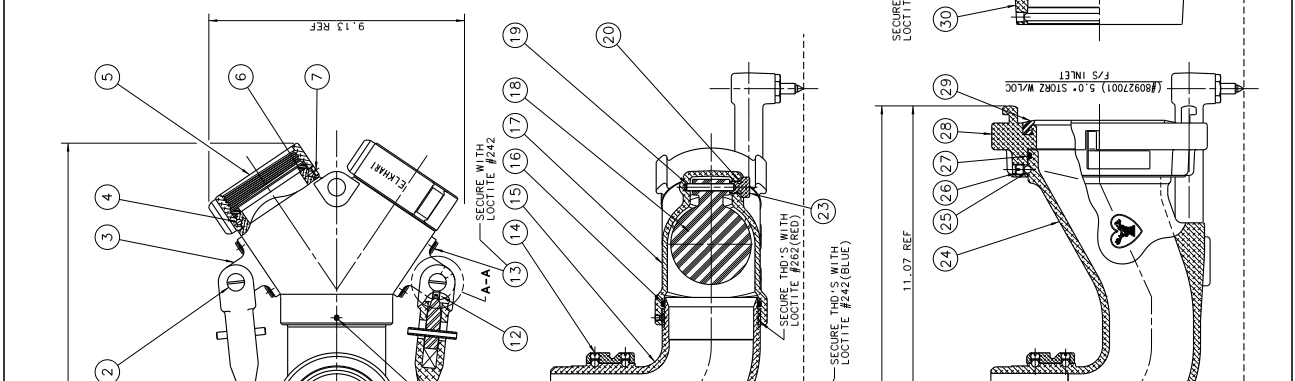
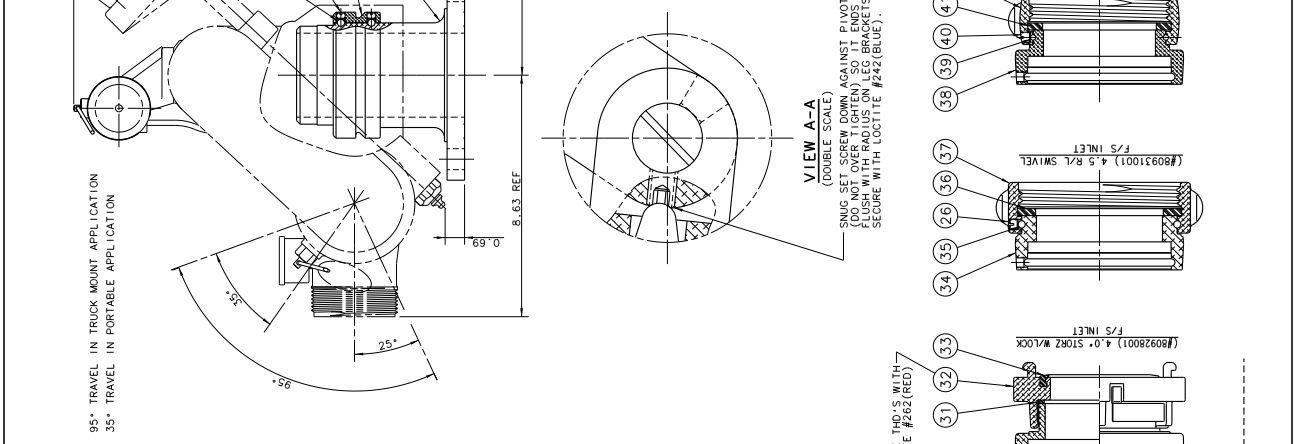


SHEET 2 OF 2

NO.	PART NO.	PART NAME	REV.
48	15580001	BASE MOUNT W/CLIP F.F. (1 AMSE)	1
47	63018001	SWIVEL-BG-R/L (1.5" NHT)	1
46	33186000	WHEEL-CASSET (NHT)	1
45	63686000	WHEEL-34 X 3.50-12 X 20-TNK	1
44	15018000	BALLS-- 187 DIA S/S	71
43	11659001	5/16" FEM. X 1/4" B/G. WA	1
42	63019001	SWIVEL-B/G R/L (4" NHT)	1
41	33177000	8.75X-34 X 1.02-10 X .250-TNK	1
40	63676000	8.75X-34 X 1.02-10 X .250-TNK	1
39	15018000	BALLS-- 187 DIA S/S	79
38	11656001	ADAPTER-F/S STORZ 5" (W/LOC)	1
37	63084001	SWIVEL-BG R/L (4.5" NHT)	1
36	33180000	CASSET-SHOCK (NHT)	1
35	15027000	8.75X-34 X 1.02-10 X .250-TNK	69
34	11657001	4" 8/16" FEM. W/LOC (W/LOC)	1
33	61201000	SEAT (4" STORZ)	1
32	11668000	4" 8/16" FEM. W/LOC (W/LOC)	1
31	33266000	8.75X-34 X 1.02-10 X .125-TNK	1
30	11655001	8/16" FEM. X 1/4" B/G. WA	1
29	61202000	SEAT (5" STORZ)	1
28	11671000	ADAPTER-F/S STORZ 5" (W/LOC)	1
27	57403000	RING-O 6" (AS-588-748)	1
26	63675000	SPRING-SET (BLACK TELEON)	1
25	15027000	8.75X-34 X 1.02-10 X .250-TNK	64
24	28172001	ELBOW-BASE L.D.H. (INLET)	1
23	16413000	BOLT-CLAPPER PIN	1
22	63793000	8.75X-34 X 1.02-10 X .125-TNK	2
21	17356001	BRACKET-LEG (FRONT)	1
20	57446000	RING-O 6" X 0.138 C/S	1
19	52111001	PIN-CLAPPER	1
18	20503000	CLAPPER (MOLDED URETHANE)	1
17	16121001	BODY-SI AMESE	1
16	57312000	RING-O 6" X 0.138 C/S	1
15	28167001	ELBOW-BASE (SI AMESE)	1
14	63687000	SPRING-SET (BLACK TELEON)	2
13	63794000	8.75X-34 X 1.02-10 X .125-TNK	4
12	63677000	8.75X-34 X 1.02-10 X .125-TNK	4
11	15027000	BALLS-- 250 DIA S/S	92
10	15195001	SWIVEL-BASE	2
9	51240000	7/16" X 2-1/2" X 1000-1900	2
8	81110001	LOADED DRUMMING SPRING	2
7	63674000	8.75X-34 X 1.02-10 X .125-TNK	2
6	33083000	CASSET-SHOCK (NHT)	2
5	63068001	SWIVEL-DVR-R/L (2.5" NHT)	2
4	15018000	BALLS-- 187 DIA S/S	104
3	17355001	BRACKET-LEG (REAR)	2
2	63705001	SPRING-SET (BLACK TELEON)	4
1	81111001	LOADED DRUMMING SPRING	4



NO.	REV.	DATE	BY	CHKD.	DESCRIPTION
1					

LOWER

ELIHART BRASS MFG. CO., INC.
 1000 N. 10TH ST., WILKES BARRE, PA. 18706
 TEL: (717) 853-1100 FAX: (717) 853-1101

Shimpo POPULAR BRAND LIGHTWEIGHT ELK-C-LITE CONSTRUCTION

DATE REVISIONS MADE: 11/17/24
 DRAWN BY: JLB
 CHECKED BY: JLB
 PART NO.: 8297
 REV.: D

MATERIAL: 6061-T6 ALUMINUM

REPLACEMENT PARTS LIST (1 PER LEG)

STINGER 8297

INDEX #	PART #	QTY	DESCRIPTION
1	81111001	4	Outer Leg Assembly
2	63705001	4	Screw - Pivot
3	17355001	2	Bracket - Leg (Rear)
4	15018000	104	.187 Ball S/S
5	63069001	2	2.5" NHT Swivel
6	33083000	2	Gasket - Rubber
7	63674000	2	Set Screw
8	81110001	1	Center Leg Assembly
9	51240000	2	Pin - Roll
10	15195001	1	Swivel - Base
11	15027000	92	.250 Ball S/S
12	63677000	4	Set Screw
13	63794000	4	Cap Screw S/S
14	63687000	2	Set Screw
15	28167001	1	Elbow - Base (Siamese)
16	57312000	1	O-Ring
17	16121001	1	Body - Siamese
18	20503000	1	Clapper
19	52111001	1	Pin - Clapper
20	57446000	1	O-Ring
21	17356001	1	Bracket - Leg (Front)
22	63793000	2	Cap Screw S/S
23	16413001	1	Bolt - Clapper Pin
24	28172001	1	Elbow - Base
25	15027000	64	.250 Ball S/S
26	63675000	1	Set Screw
27	57403000	1	O-Ring
28	11671000	1	5" Storz Adapter
29	61202000	1	5" Storz Seat
30	11655001	1	Adapter
31	33260000	1	Gasket - Rubber
32	11668000	1	4" Storz Adapter
33	61201000	1	4" Storz Seat
34	11657001	1	Adapter
35	15027000	69	.250 Ball S/S
36	33180000	1	Gasket - Rubber
37	63084001	1	4.5" NHT Swivel
38	11656001	1	Adapter
39	15018000	79	.187 Ball S/S
40	63676000	1	Set Screw
41	33177000	1	Gasket - Rubber
42	63019001	1	4" NHT Swivel
43	11659001	1	Adapter
44	15018000	71	.187 Ball S/S
45	63688000	1	Set Screw
46	33186000	1	Gasket - Rubber
47	63018001	1	3.5" NHT Swivel
48	15580001	1	Monitor Base



ELKHART BRASS MFG. CO., INC.
ELKHART, INDIANA

THIS DRAWING CONTAINS INFORMATION THAT IS
PROPRIETARY TO ELKHART BRASS MFG. CO., INC.
AND MAY NOT BE USED TO PRODUCE ANY PARTS,
ASSEMBLIES OR PRODUCTS DESCRIBED HEREIN
WITHOUT EXPRESS WRITTEN PERMISSION.

STINGER 8297
PAGE 4 OF 4
04/2008

LOWER
PART
LIST