

## SIDEWINDER ELECTRIC 8494-01

INDEX #	PART #	QTY	DESCRIPTION
1	17908001	1	MONITOR OUTLET BODY
2	15027000	144	BALLS-0.250 S/S
3	57502000	2	O-RING
4	63687000	5	SET SCREW
5	31011000	2	GREASE FITTING
6	51248000	2	ROLL PIN
7	47652001	2	OVER-RIDE NUT
8	65140000	1	SCREW
9	23572000	1	CLAMP LOOP
10	65139000	3	SCREWS
11	71176000	3	WASHER
12	65572001	4	SPACER - SENSOR
13	65104000	2	POSITION SENSOR
14	18219001	1	MONITOR INLET BODY
15	44339000	1	SERIAL NO./IDENTIFICATION PLATE
16	61215100	4	DRIVE SCREW S/S
17	17975001	1	BASE -2" NPT
18	64072000	8	CAP SCREWS S/S
19	81119001	2	MOTOR ASSY (12 VDC SLOW)
19	81147001	2	MOTOR ASSY (12 VDC FAST)
19	81207001	2	MOTOR ASSY (24 VDC SLOW)
19	81240001	2	MOTOR ASSY (24 VDC FAST)
20	36791200	1	QUICK CONNECT HARNESS EXTENSION
21	63797000	1	SCREW S/S
22	23570000	1	CLAMP LOOP CUSHIONED
23	36833100	1	MONITOR CONTROL HARNESS
24	23571000	2	CLAMP LOOP
25	71515000	4	THRUST WASHER
26	17701000	2	THRUST BEARING
27	65201000	2	SET SCREW S/S
28	20991001	2	COUPLING
29	65219000	2	SET SCREW S/S
30	51071000	2	SOLID PIN
31	63935901	2	WORM SHAFT S/S
32	63601001	2	SPACER
33	71516000	4	THRUST WASHER
34	17702000	2	THRUST BEARING
35	57380000	2	O-RING
36	46054000	4	MAGNETS

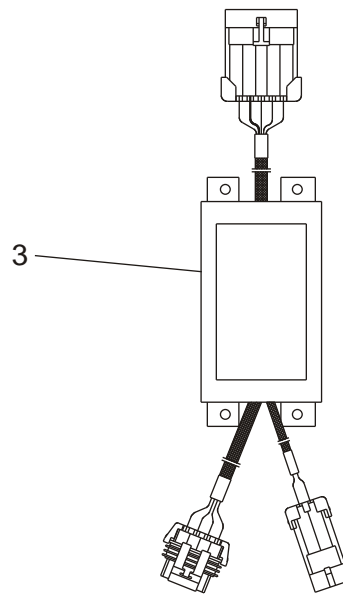
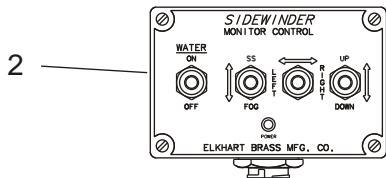
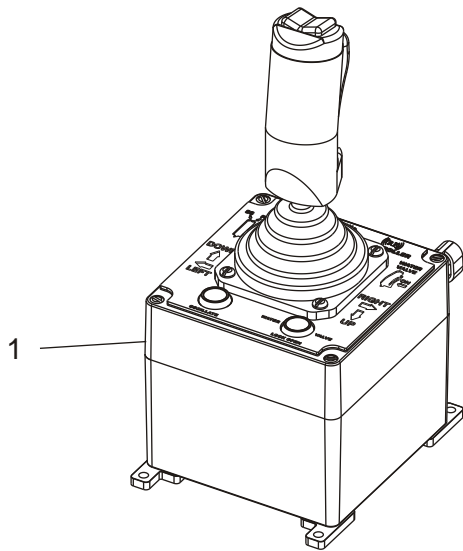


ELKHART BRASS MFG. CO., INC.  
ELKHART, INDIANA

THIS DRAWING CONTAINS INFORMATION THAT IS  
PROPRIETARY TO ELKHART BRASS MFG. CO., INC.  
AND MAY NOT BE USED TO PRODUCE ANY PARTS,  
ASSEMBLIES OR PRODUCTS DESCRIBED HEREIN  
WITHOUT EXPRESS WRITTEN PERMISSION.

SIDEWINDER ELECTRIC 8494-01  
PAGE 2 OF 2  
12/2007

PART  
LIST



**SIDEWINDER ELECTRIC 8494-01  
CONTROLS**

<b>INDEX #</b>	<b>PART #</b>	<b>DESCRIPTION</b>
1	81172001	Joystick Controller
2	81122001	Toggle Box Controller
3	81206000	Control Module



ELKHART BRASS MFG. CO., INC.  
ELKHART, INDIANA

THIS DRAWING CONTAINS INFORMATION THAT IS  
PROPRIETARY TO ELKHART BRASS MFG. CO., INC.  
AND MAY NOT BE USED TO PRODUCE ANY PARTS,  
ASSEMBLIES OR PRODUCTS DESCRIBED HEREIN  
WITHOUT EXPRESS WRITTEN PERMISSION.

SIDEWINDER ELECTRIC  
PAGE 2 OF 2  
07/2008

CONTROLS  
PART  
LIST