 <b>ELKHART BRASS MFG. CO., INC.</b> ELKHART, INDIANA	
<small>THIS DRAWING CONTAINS INFORMATION THAT IS PROPRIETARY TO ELKHART BRASS MFG. CO., INC. AND MAY NOT BE USED TO PRODUCE ANY PARTS, ASSEMBLIES OR PRODUCTS DESCRIBED HEREIN WITHOUT EXPRESS WRITTEN PERMISSION.</small>	
PYTHON 299-11 PAGE 1 OF 4 12/2007	PART DRAWING

## PYTHON 299-11

INDEX #	PART #	QTY	DESCRIPTION
1	80018005	1	Lock Device Ass'y.
2	16724001	1	Body - Lower
3	61268000	2	Set Screw (Brass)
4	31001000	2	Fitting - Grease
5	15011000	54	0.375 Brass Ball
6	57301000	1	O-Ring
7	33050000	1	Gasket - Teflon
8	15276001	1	Base - 4" 150 # Flange
8	15274001	1 (Opt)	Base - 2-1/2" 150# Flange
8	15279001	1 (Opt)	Base - 3" 150# Flange
9	80448001	1	2.5" Upper Body Sub Ass'y.
10	61522001	1	Shaft - Handle
11	42023000	1	Knob - Handle Shaft
12	44001000	1	Label - Not Shown
13	61268000	2	Set Screw (Brass)
14	15011000	54	0.375 Brass Ball
15	57301000	1	O-Ring
16	33050000	1	Gasket - Teflon
17	61215100	4	Drive Screw S/S
18	44349000	1	Label-Python Serial Tag
19	81263001	1	Lock Device Ass'y.
20	16439001	1	Bolt-Shoulder
21	15283001	1 (Opt)	Base - 2-1/2" NPT
21	15285001	1 (Opt)	Base - 3" NPT
21	15250001	1 (Opt)	Base - 4" NPT
22	15281001	1 (Opt)	Base - 6" 150# Flange
22	15278001	1 (Opt)	Base - 2-1/2" 300# Flange
22	15280001	1 (Opt)	Base - 3" 300# Flange
22	15277001	1 (Opt)	Base - 4" 300# Flange

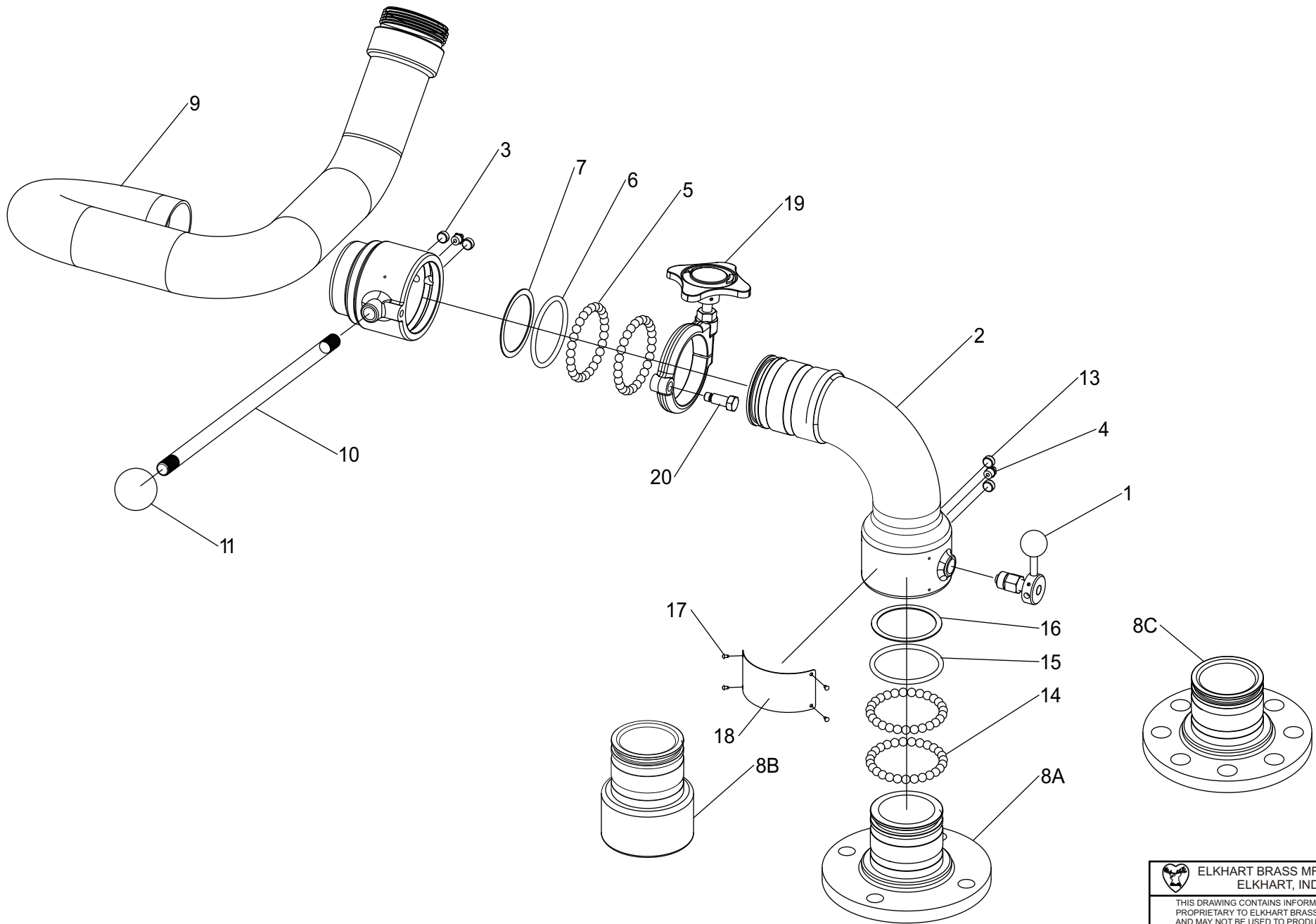


ELKHART BRASS MFG. CO., INC.  
ELKHART, INDIANA

THIS DRAWING CONTAINS INFORMATION THAT IS  
PROPRIETARY TO ELKHART BRASS MFG. CO., INC.  
AND MAY NOT BE USED TO PRODUCE ANY PARTS,  
ASSEMBLIES OR PRODUCTS DESCRIBED HEREIN  
WITHOUT EXPRESS WRITTEN PERMISSION.

PYTHON 299-11  
PAGE 2 OF 6  
12/2007

PART  
LIST




**ELKHART BRASS MFG. CO., INC.**  
 ELKHART, INDIANA  
 THIS DRAWING CONTAINS INFORMATION THAT IS  
 PROPRIETARY TO ELKHART BRASS MFG. CO., INC.  
 AND MAY NOT BE USED TO PRODUCE ANY PARTS,  
 ASSEMBLIES OR PRODUCTS DESCRIBED HEREIN  
 WITHOUT EXPRESS WRITTEN PERMISSION.

PYTHON 299-11P  
 PAGE 3 OF 4  
 12/2007

PART  
 DRAWING

## PYTHON 299-11P

INDEX #	PART #	QTY	Description
1	80018005	1	Lock Device Ass'y.
2	16724004	1	Body - Lower
3	61268000	2	Set Screw (Brass)
4	31001000	2	Fitting - Grease
5	15011000	54	0.375 Brass Ball
6	57301000	1	O-Ring
7	33050000	1	Gasket - Teflon
8A	15276004	1	Base - 4" 150# Flange
8A	TBD	1 (Opt)	Base - 2-1/2" 150# Flange
8A	15279004	1 (Opt)	Base - 3" 150# Flange
8B	TBD	1 (Opt)	Base - 2-1/2" NPT
8B	15285004	1 (Opt)	Base - 3" NPT
8B	TBD	1 (Opt)	Base - 4" NPT
8C	TBD	1 (Opt)	Base - 6" 300# Flange
8C	TBD	1 (Opt)	Base - 2-1/2" 300# Flange
8C	TBD	1 (Opt)	Base - 3" 300# Flange
8C	TBD	1 (Opt)	Base - 4" 300# Flange
9	80448004	1	2-1/2" Upper Body Sub Ass'y.
10	61522001	1	Shaft - Handle
11	42023000	1	Knob - Handle Shaft
12	44001000	1	Label - Not Shown
13	61268005	2	Set Screw (Brass)
14	15011000	54	0.375 Brass Ball
15	57301000	1	O-Ring
16	33050000	1	Gasket - Teflon
17	61215100	4	Drive Screw S/S
18	44349000	1	Label-Python Serial Tag
19	81263005	1	Lock Device Ass'y.
20	16439001	1	Bolt-Shoulder



ELKHART BRASS MFG. CO., INC.  
ELKHART, INDIANA

THIS DRAWING CONTAINS INFORMATION THAT IS  
PROPRIETARY TO ELKHART BRASS MFG. CO., INC.  
AND MAY NOT BE USED TO PRODUCE ANY PARTS,  
ASSEMBLIES OR PRODUCTS DESCRIBED HEREIN  
WITHOUT EXPRESS WRITTEN PERMISSION.

PYTHON 299-11P  
PAGE 4 OF 4  
12/2007

PART  
LIST