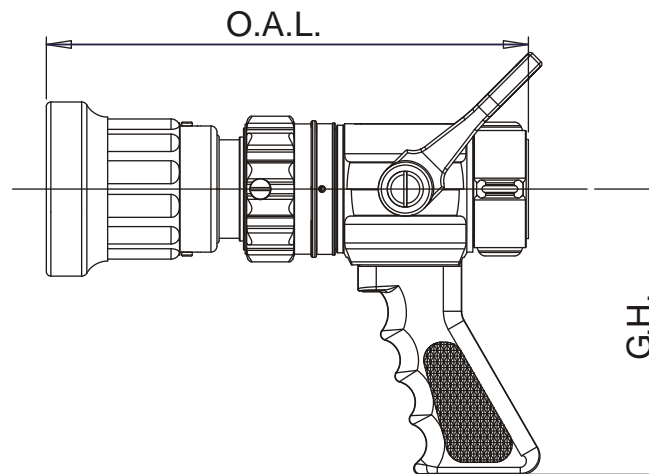
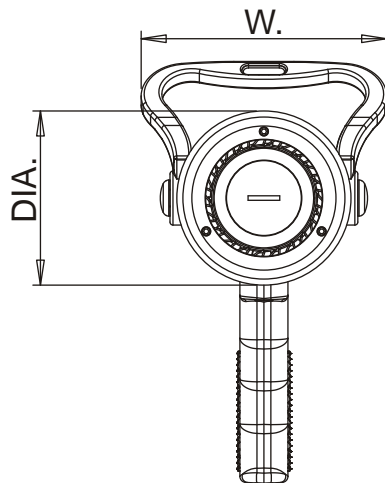
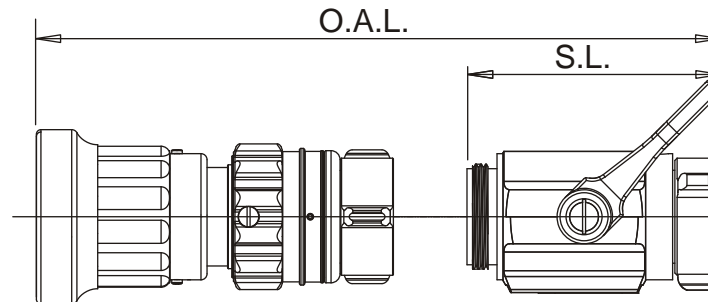
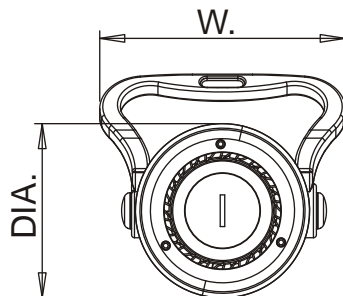


TIP



NOZZLE



BREAK-APART

PHANTOM DIMENSIONAL TABLE												
(In Inches)												
MODEL	BASE SIZE	BASE	TYPE	(O.A.L.)		DIA.	WIDTH (W.)			GRIP HEIGHT (G.H.)	SHUT-OFF LENGTH (S.L.)	WEIGHT (LBS.)
				MAX (S.S.)	MIN (FOG)		TAB	HORSE SHOE	PLAYPIPE			
PSFS-HP	1.00	FREE SWIVEL	NOZZLE	9.500	8.937	3.375	3.844	5.125				3.71
PSFS-HPG	1.00	FREE SWIVEL	NOZZLE	9.500	8.937	3.375	3.844	5.125		5.688		4.18
TPSFS-HP	1.00	RIGID	TIP	6.375	5.938	3.375						2.15
TPSFS-HPT	1.00	RIGID	TIP	6.375	5.938	3.375						2.15
SFM-HP	1.50	SWIVEL	NOZZLE	10.000	9.500	3.625	4.375	5.125				4.79
SFM-HP	1.50	FREE SWIVEL	NOZZLE	10.500	10.000	3.625	4.375	5.125				4.86
SFM-HPG	1.50	SWIVEL	NOZZLE	10.000	9.500	3.625	4.375	5.125		5.938		5.29
SFM-HPG	1.50	FREE SWIVEL	NOZZLE	10.500	10.000	3.625	4.375	5.125		5.938		5.36
TSFM-HP	1.50	SWIVEL	TIP	7.750	7.125	3.625						2.93
TSFM-HPT	1.50	SWIVEL	TIP	7.750	7.125	3.625						2.93
SFM-LP	1.50	SWIVEL	NOZZLE	10.000	9.438	3.625	4.375	5.125				4.79
SFM-LP	1.50	FREE SWIVEL	NOZZLE	10.500	10.000	3.625	4.375	5.125				4.86
SFM-LPG	1.50	SWIVEL	NOZZLE	10.000	9.438	3.625	4.375	5.125		5.938		5.36
SFM-LPG	1.50	FREE SWIVEL	NOZZLE	10.500	10.000	3.625	4.375	5.125		5.938		5.29
STFSM-LP	1.50	RIGID	APART	12.188	11.688	3.625	4.375	5.125			4.688	5.18
STFSM-LP	1.50	SWIVEL	BREAK-APART	12.438	11.938	3.625	4.375	5.125			4.938	5.31
STFSM-LP	1.50	FREE SWIVEL	BREAK-APART	13.000	12.250	3.625	4.375	5.125			5.250	5.22
TSFM-LP	1.50	SWIVEL	TIP	7.750	7.125	3.625						2.93
TSFM-LPT	1.50	SWIVEL	TIP	7.750	7.125	3.625						2.93

Denotes standard