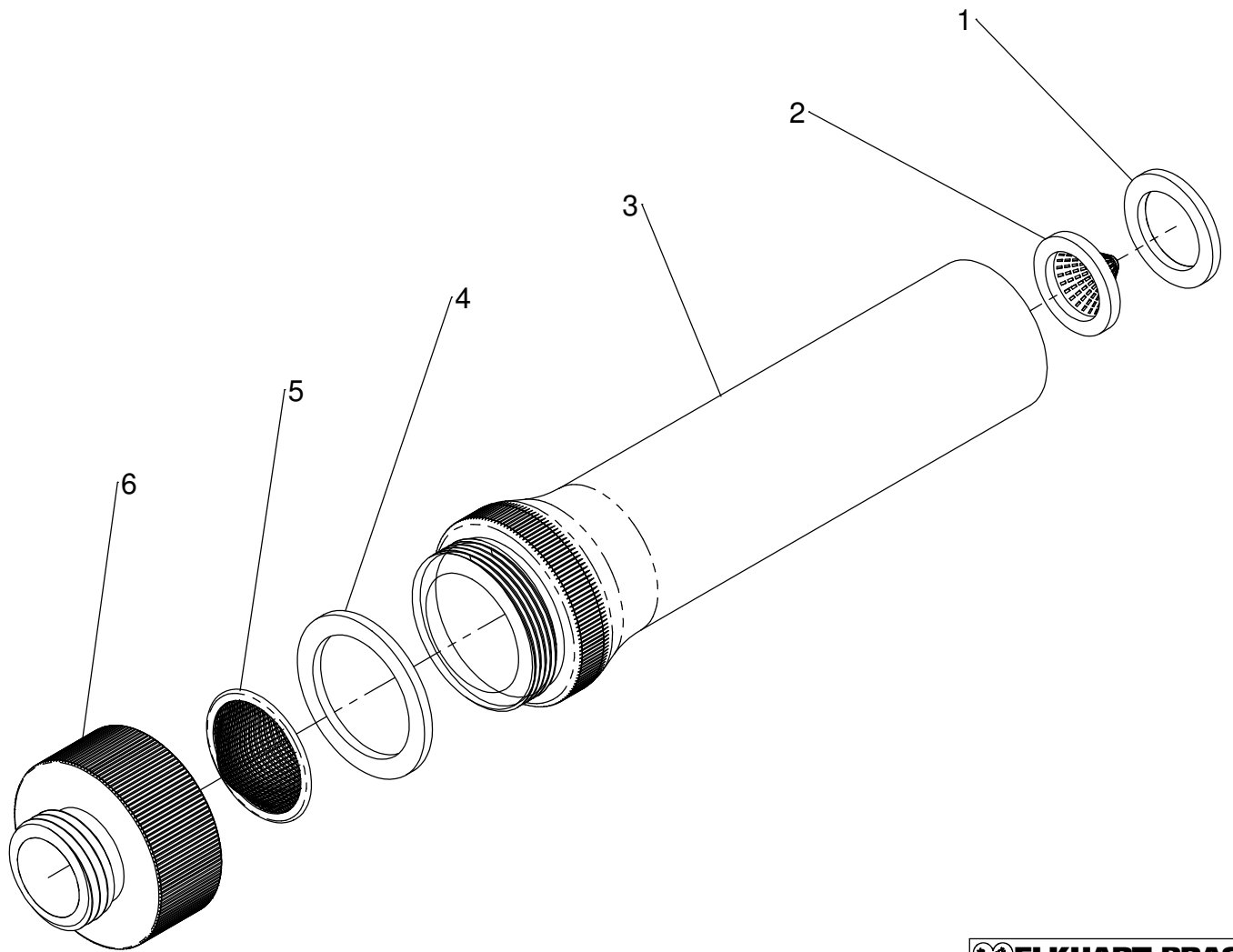



ITEM NO.	PART NUMBER	DESCRIPTION	QTY.
1	33091000	GASKET-RUBBER (1.0 NHT)	1
2	61028000	STRAINER - WASHER	1
3	67274001	TUBE - FOAM OH NZL	1
4	33074000	GASKET-RUBBER 2.062X1.562X.125TH	1
5	61021000	SCREEN/STRAINER 1.5 SS	1
6	23616001	CAP - FOAM OH NZL	1



 <b>ELKHART BRASS</b> Fire Fighting Equipment	
<small>THIS DRAWING CONTAINS INFORMATION THAT IS PROPRIETARY TO ELKHART BRASS MFG CO., INC. AND MAY NOT BE USED TO PRODUCE ANY PARTS, ASSEMBLIES OR PRODUCTS DESCRIBED HEREIN WITHOUT EXPRESS WRITTEN PERMISSION</small>	
248 - Parts DWG PAGE 1 OF 1	248 OH FOAM TUBE PARTS DRAWING