

ELKHART BRASS


Fire Fighting Equipment

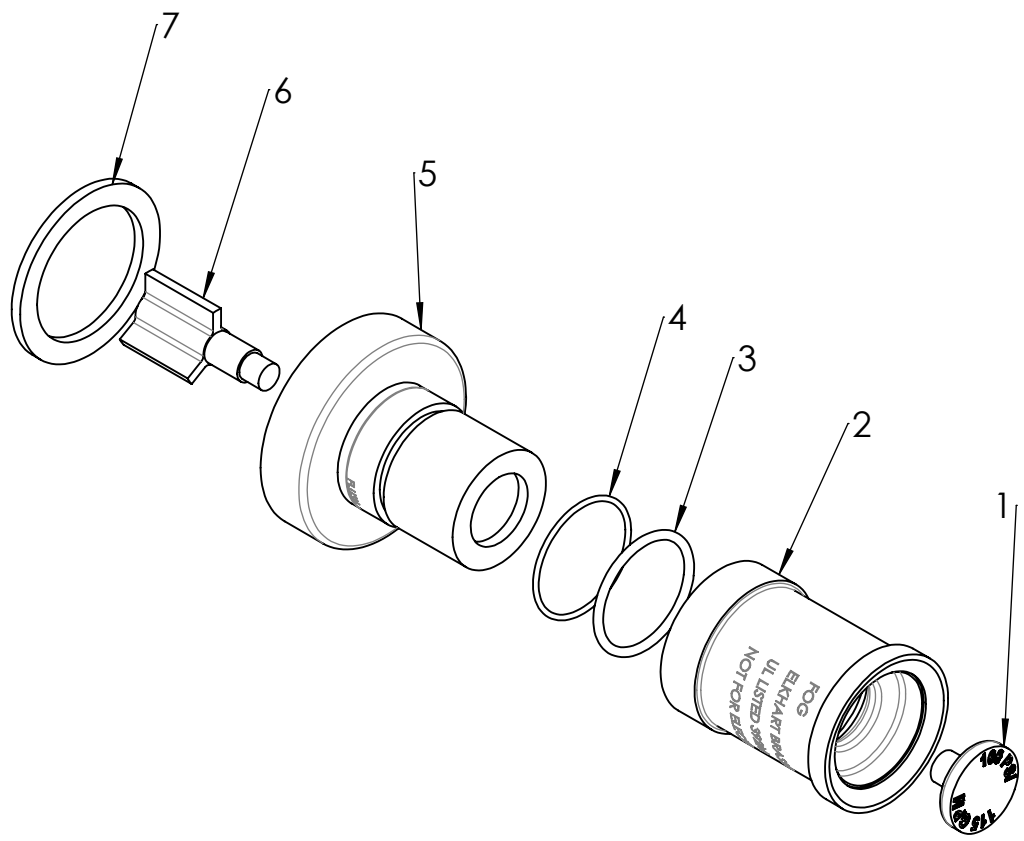
THIS DRAWING CONTAINS INFORMATION THAT IS PROPRIETARY TO ELKHART BRASS MFG CO., INC. AND MAY NOT BE USED TO PRODUCE ANY PARTS, ASSEMBLIES OR PRODUCTS DESCRIBED HEREIN WITHOUT EXPRESS WRITTEN PERMISSION

L-205-B - PARTS DWG
PAGE 1 OF 2
03/26/2018

PARTS
DRAWING

ITEM NO.	MODEL	PART NUMBER	QTY.	DESCRIPTION
1	L-205-B (95GPM)	65542001	1	HEAD-STEM (95 GPM)
2	L-205-B (125GPM)	65544001	1	HEAD-STEM (125 GPM)
3	ALL	16587000	1	BUMPER-RUBBER
4	L-205-B (95GPM)	66547001	1	TIP-L-205-B
5	L-205-B (125GPM)	66547501	1	TIP-L-205-B (STRAIGHT)
6	ALL	57350000	1	O RING AS-568-218 1.234 X.139
7	ALL	57482000	1	O RING AS-568-029 1.489 X.070
8	ALL	33220000	1	GASKET RUBBER
9	ALL	15672001	1	BASE-L-205-B
10	ALL	63394001	1	STEM-BASE
11	ALL	33074000	1	GASKET-RUBBER 2.062X1.562X.125TH

 ELKHART BRASS <small>Fire Fighting Equipment</small>	
<small>THIS DRAWING CONTAINS INFORMATION THAT IS PROPRIETARY TO ELKHART BRASS MFG CO., INC. AND MAY NOT BE USED TO PRODUCE ANY PARTS, ASSEMBLIES OR PRODUCTS DESCRIBED HEREIN WITHOUT EXPRESS WRITTEN PERMISSION</small>	
<small>L-205-B - PARTS DWG PAGE 2 OF 2 03/26/2018</small>	<small>PARTS DRAWING</small>




 **ELKHART BRASS**
Fire Fighting Equipment

THIS DRAWING CONTAINS INFORMATION THAT IS PROPRIETARY TO ELKHART BRASS MFG CO., INC. AND MAY NOT BE USED TO PRODUCE ANY PARTS, ASSEMBLIES OR PRODUCTS DESCRIBED HEREIN WITHOUT EXPRESS WRITTEN PERMISSION

L-206-T - PARTS DWG
PAGE 1 OF 2
XX/XX/XXXX

XXXX
DRAWING

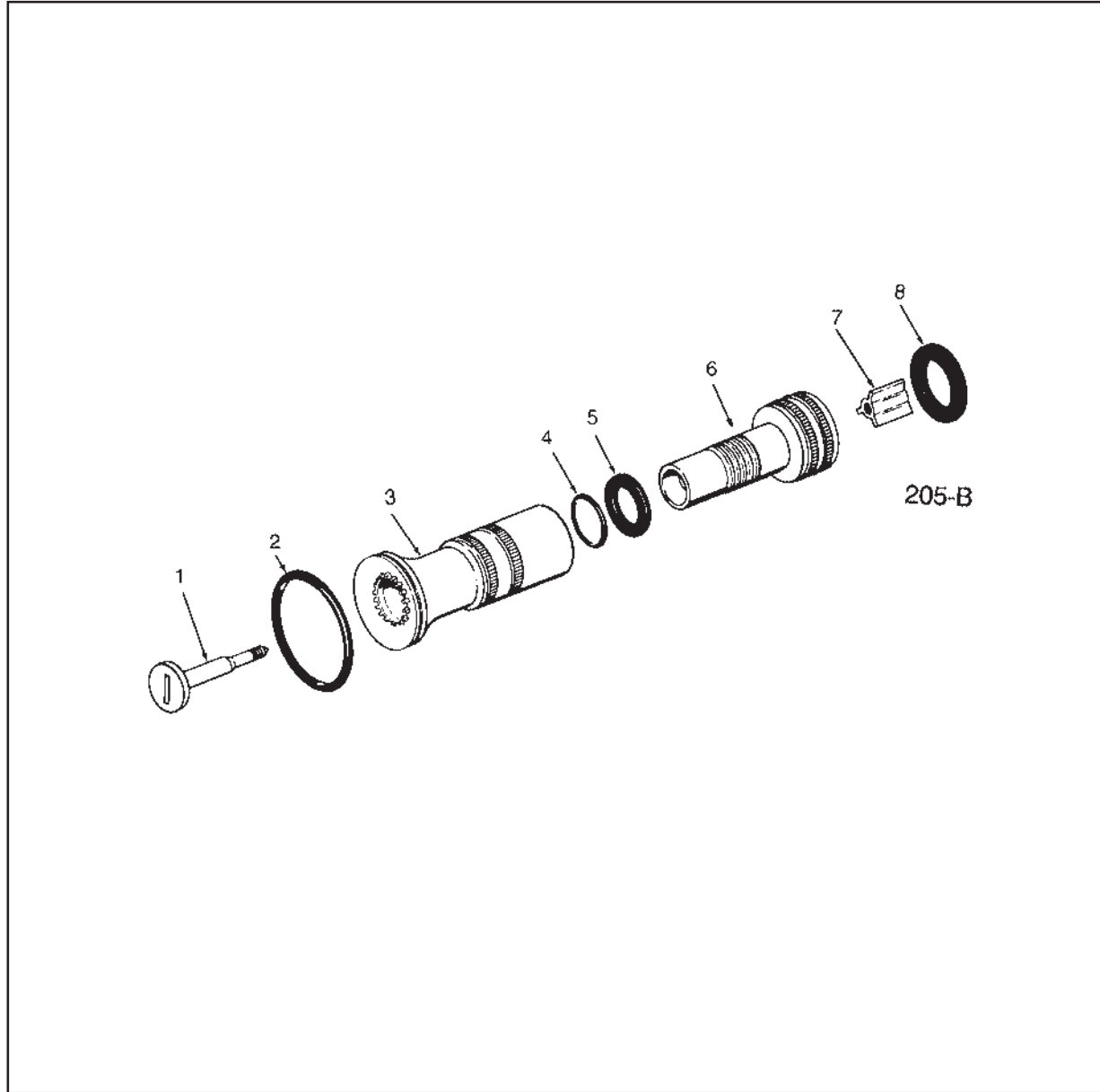
ITEM NO.	PART NUMBER	DESCRIPTION	QTY.
1	65545001	STEM-HEAD (115 GPM)	1
2	66275001	TIP-NOZZLE	1
3	57396000	O RING AS-568-124 1.237 X.103	1
4	57392000	O RING AS-568-027 1.301 X.070	1
5	15419001	BASE-NOZZLE	1
6	63396001	STEM-BASE (WEB)	1
7	33074000	GASKET-RUBBER 2.062X1.562X.125TH	1

 ELKHART BRASS <small>Fire Fighting Equipment</small>	
<small>THIS DRAWING CONTAINS INFORMATION THAT IS PROPRIETARY TO ELKHART BRASS MFG CO., INC. AND MAY NOT BE USED TO PRODUCE ANY PARTS, ASSEMBLIES OR PRODUCTS DESCRIBED HEREIN WITHOUT EXPRESS WRITTEN PERMISSION</small>	
<small>L-206-T - PARTS DWG PAGE 2 OF 2 XX/XX/XXXX</small>	<small>XXXX DRAWING</small>

205-B
September, 1985

205-B (BRASS)

INDEX NO.	PART NO.	QTY. REQ.	DESCRIPTION
1	62029	1	Stem Head (170 GPM)
1	62022	1	Stem Head (250 GPM)
2	16575	1	Rubber Bumper
3	66291	1	Nozzle Tip
4	57361	1	"O" Ring
5	33214	1	Gasket
6	15427	1	Nozzle Base
7	63385	1	Stem Base (Web)
8	33074	1	Gasket (Base Thread)

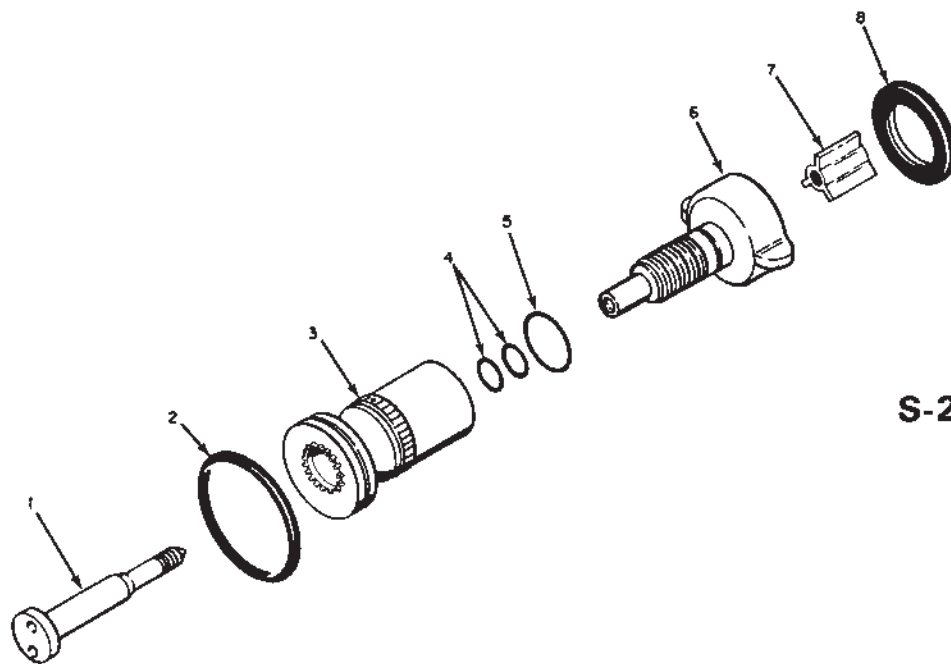


S-205-B

April, 1996

S-205-B (BRASS)

INDEX NO.	PART NO.	QTY. REQ.	DESCRIPTION
1	62001	1	Stem Head (23 GPM)
1	61980	1	Stem Head (12 GPM)
2	16585	1	Rubber Bumper
3	66236	1	Nozzle Tip
4	57299	2	"O" Ring
5	57350	1	"O" Ring
6	15405	1	Nozzle Base
7	61824	1	Stem Base (Web)
8	33091	1	Gasket



S-205-B

L-200

April, 1996

L-200 (BRASS)

INDEX NO.	PART NO.	QTY. REQ.	DESCRIPTION
1	63801	1	Stem Head (95 GPM)
1	63800	1	Stem Head (40 GPM)
1	61879	1	Stem Head (60 GPM)
1	63802	1	Stem Head (125 GPM)
1	63805	1	Stem Head S/S (95 GPM)
2	16575	1	Rubber Bumper
3	66269	1	Nozzle Tip
4	57350	1	"O" Ring
5	33220	1	Rubber Gasket
6	15372	1	Nozzle Base, 1.5"
7	63394	1	Stem Base
8	33074	1	1.5" Rubber Gasket

