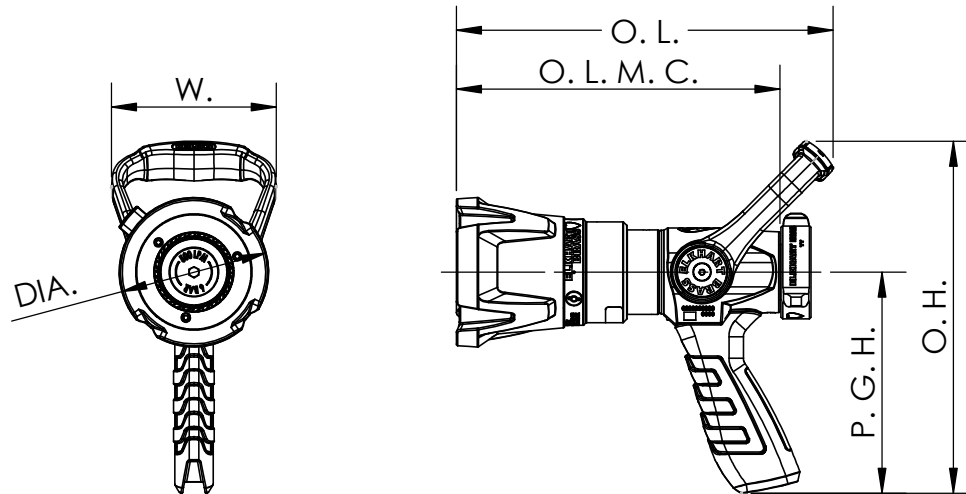


CHIEF XD EN DIMENSIONAL TABLE

FLOW RATE (LPM @ BAR)	TYPE	BASE (COUPLING)	(IN MILLIMETERS)								WEIGHT (KG.)	
			OVERALL LENGTH (O. L.)		OVERALL LENGTH MINUS COUPLING (O. L. M. C.)		BUMPER DIA. (DIA.)	BALE HANDLE WIDTH (W.)	PISTOL GRIP HEIGHT (P. G. H.)	OVERALL HEIGHT (O. H.)	NO PISTOL GRIP	PISTOL GRIP
			MAX (S.S.)	MIN (FLUSH)	MAX (S.S.)	MAX (FLUSH)						
125 @ 6 150 @ 6 175 @ 6 230 @ 6 250 @ 4 250 @ 6	NOZZLE	FREE SWIVLE - 1.0" (25 MM)	245	230	219	204	79	109	146	233	1.1	1.3
500 @ 4 500 @ 6	NOZZLE	FREE SWIVLE - 1.5" (38 MM)	249	229	214	194	99	109	146	233	1.4	1.6
		FREE SWIVLE - 1.0" (25 MM) X 2.5" (65 MM) BRITISH INSTANTANEOUS	347	327							1.6	1.8
		FREE SWIVLE - 1.0" (25 MM) X 2.0" (52 MM) BSP MALE	336	316							1.5	1.7
		FREE SWIVLE - 1.0" (25 MM) X 2.0" (52 MM) BSP MALE WITH 2.0" (52 MM) BSP FEMALE X 2.0" (52 MM) STORZ	359	339							1.8	2.0



ELKHART BRASS
 Fire Fighting Equipment
THIS DRAWING CONTAINS INFORMATION THAT IS PROPRIETARY TO ELKHART BRASS MFG CO., INC. AND MAY NOT BE USED TO PRODUCE ANY PARTS, ASSEMBLIES OR PRODUCTS DESCRIBED HEREIN WITHOUT EXPRESS WRITTEN PERMISSION

CHIEF XD EN NOZZLE - DIMENSIONAL
PAGE 1 OF 1
11/01/2021

DIMENSIONAL
TABLE