

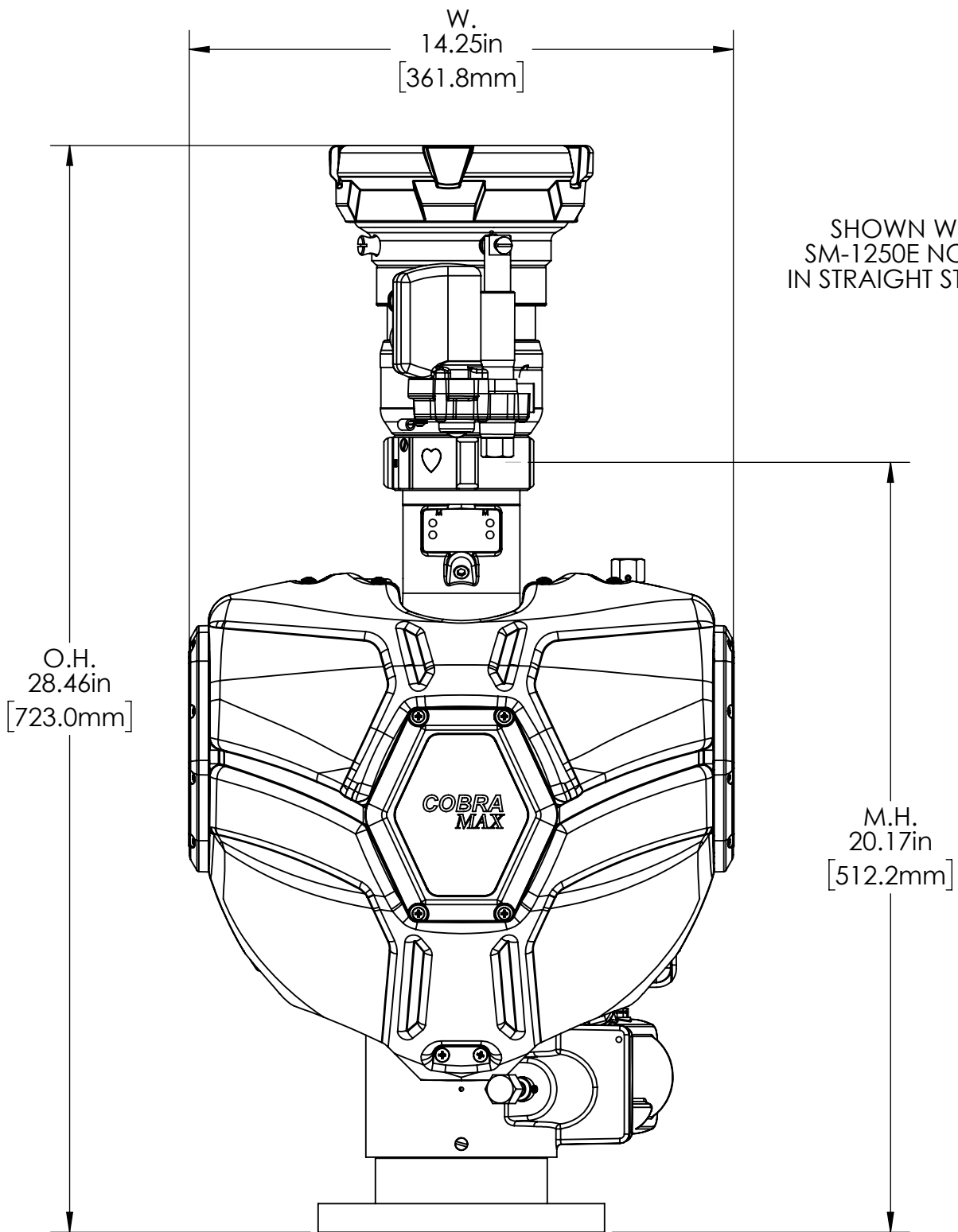
THIS DRAWING CONTAINS INFORMATION THAT IS PROPRIETARY TO ELKHART BRASS MFG CO., INC. AND MAY NOT BE USED TO PRODUCE ANY PARTS, ASSEMBLIES OR PRODUCTS DESCRIBED HEREIN WITHOUT EXPRESS WRITTEN PERMISSION

7200X2MX FO  
(DIMENSIONAL DWG)

DIMENSIONAL  
DRAWING

PAGE 1 OF 6

Ver. 1.0



SHOWN WITH  
SM-1250E NOZZLE  
IN STRAIGHT STREAM



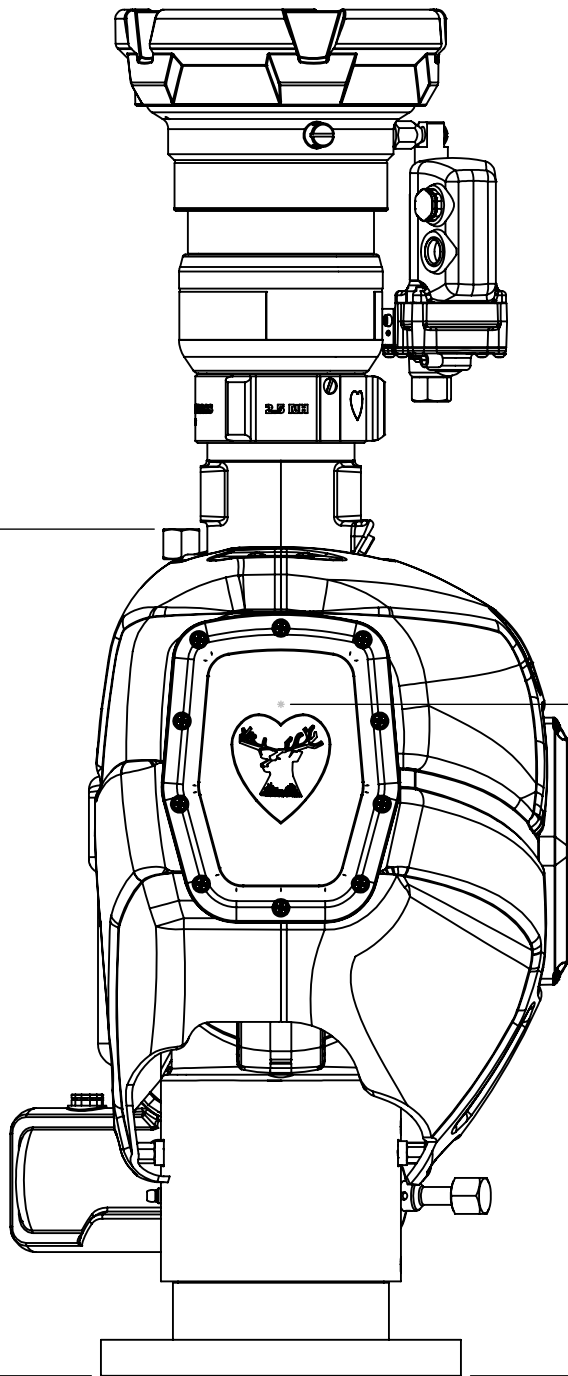
THIS DRAWING CONTAINS INFORMATION THAT IS  
PROPRIETARY TO ELKHART BRASS MFG CO., INC.  
AND MAY NOT BE USED TO PRODUCE ANY PARTS,  
ASSEMBLIES OR PRODUCTS DESCRIBED HEREIN  
WITHOUT EXPRESS WRITTEN PERMISSION

7200X2MX FO  
(DIMENSIONAL DWG)

DIMENSIONAL  
DRAWING

PAGE 2 OF 6

Ver. 1.0



S.D.H  
17.64in  
[448.0mm]

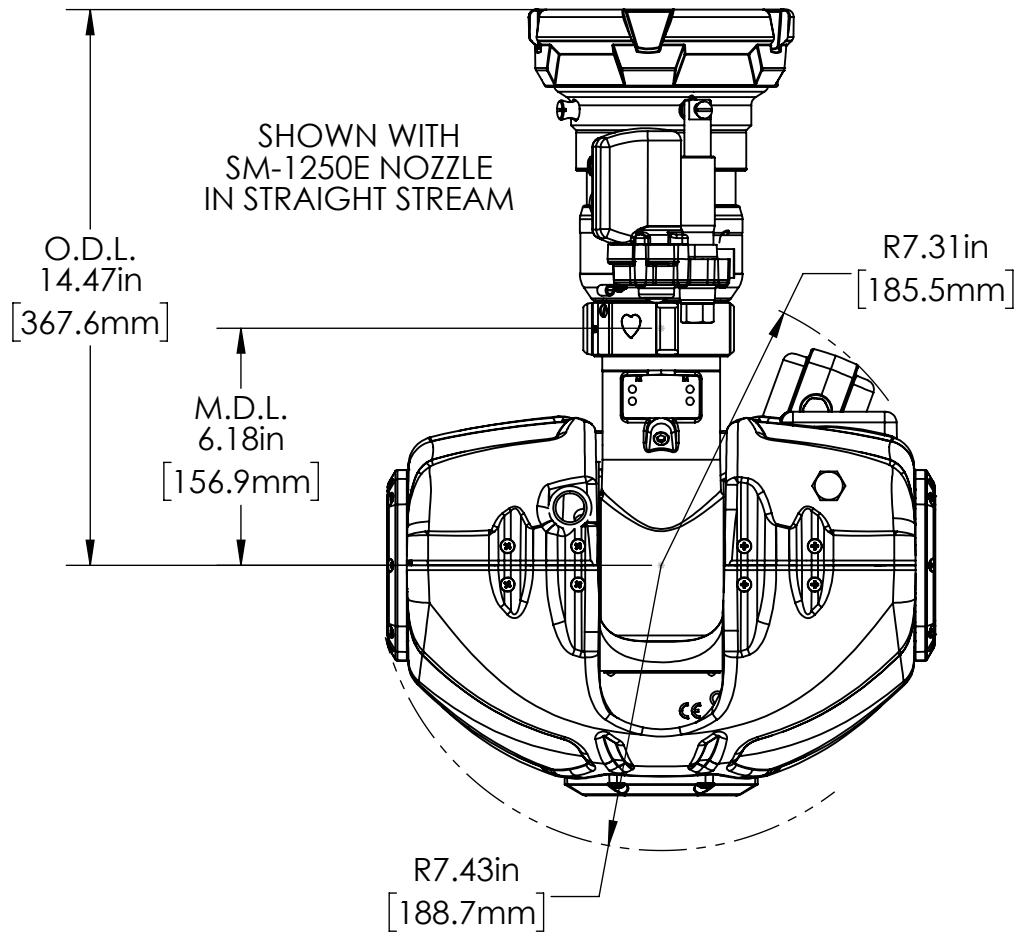
P.H.  
13.99in  
[355.3mm]



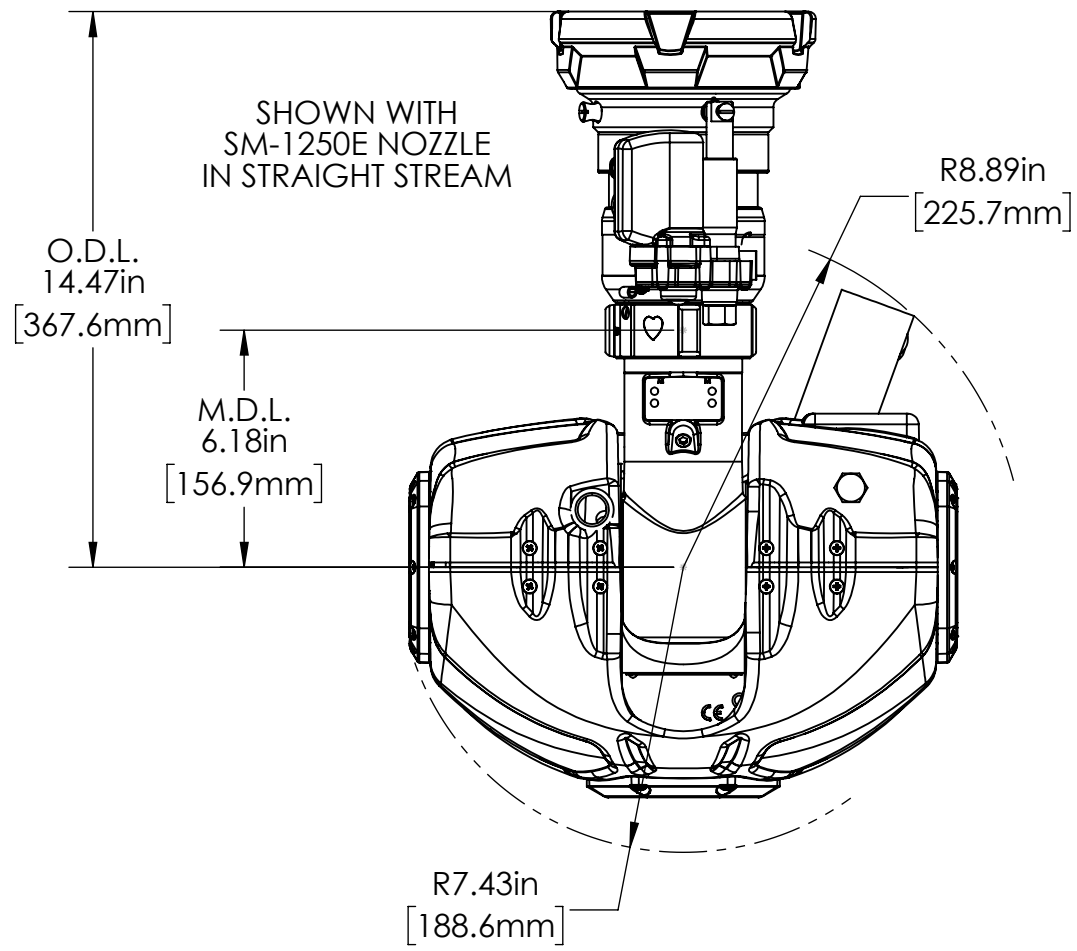
THIS DRAWING CONTAINS INFORMATION THAT IS PROPRIETARY TO ELKHART BRASS MFG CO., INC. AND MAY NOT BE USED TO PRODUCE ANY PARTS, ASSEMBLIES OR PRODUCTS DESCRIBED HEREIN WITHOUT EXPRESS WRITTEN PERMISSION

7200X2MX FO  
(DIMENSIONAL DWG)  
PAGE 3 OF 6


DIMENSIONAL  
DRAWING

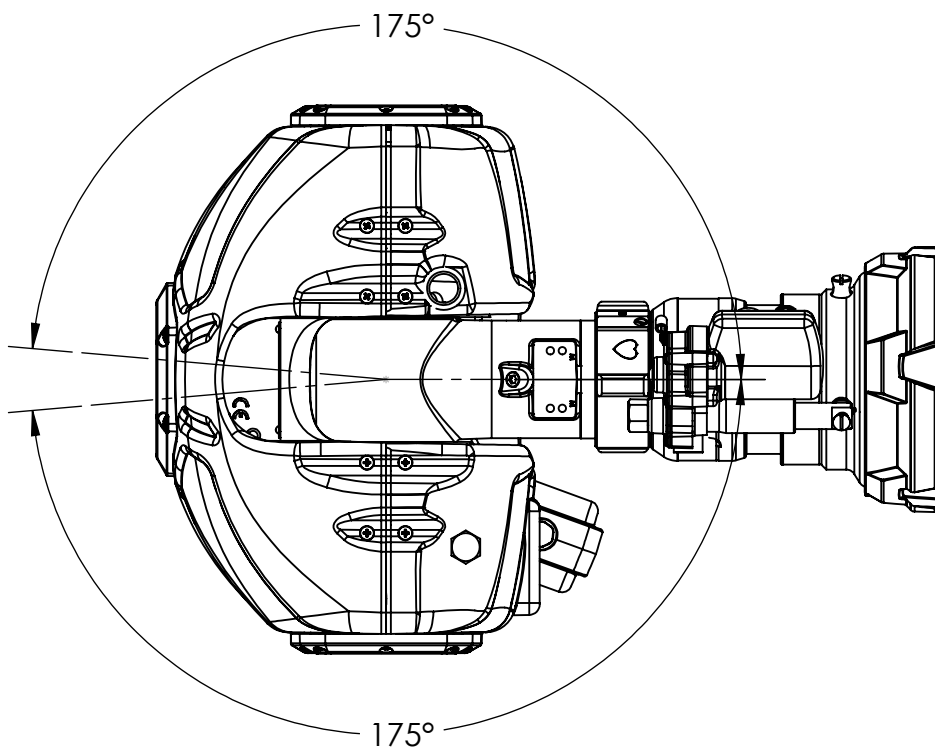
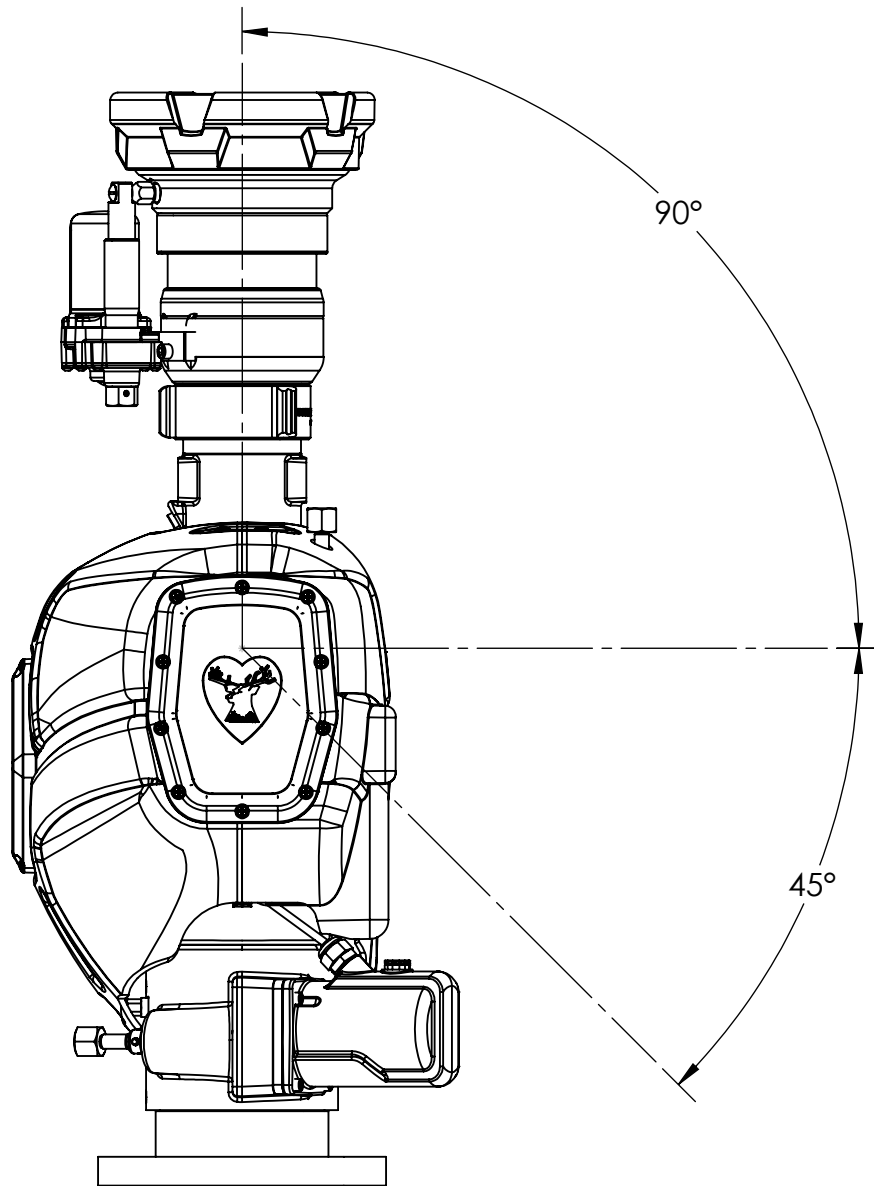


7200SDX2



7200HDX2

	<b>ELKHART BRASS</b>	
	Fire Fighting Equipment	
THIS DRAWING CONTAINS INFORMATION THAT IS PROPRIETARY TO ELKHART BRASS MFG CO., INC. AND MAY NOT BE USED TO PRODUCE ANY PARTS, ASSEMBLIES OR PRODUCTS DESCRIBED HEREIN WITHOUT EXPRESS WRITTEN PERMISSION		
7200X2MX FO (DIMENSIONAL DWG)	PAGE 4 OF 6	DIMENSIONAL DRAWING



THIS DRAWING CONTAINS INFORMATION THAT IS PROPRIETARY TO ELKHART BRASS MFG CO., INC. AND MAY NOT BE USED TO PRODUCE ANY PARTS, ASSEMBLIES OR PRODUCTS DESCRIBED HEREIN WITHOUT EXPRESS WRITTEN PERMISSION

7200X2MX FO  
(DIMENSIONAL DWG)  
PAGE 5 OF 6

DIMENSIONAL  
DRAWING

## DIMENSIONAL ABBREVIATION KEY\*

ABBREVIATION	DESCRIPTION
D.L.	DISCHARGE LENGTH
H.H.	HANDLE HEIGHT
H.S.R.	HANDLE SWING RADIUS
M.D.L.	MONITOR DISCHARGE LENGTH
M.H.	MONITOR HEIGHT
O.D.L.	OVERALL DISCHARGE LENGTH
O.H.	OVERALL HEIGHT
O.L.	OVERALL LENGTH
P.H.	PIVOT HEIGHT
P.R.	PIVOT RADIUS
R.	RADIUS
S.D.H.	STOW DOWN HEIGHT
W.	WIDTH

**\*NOT ALL ABBREVIATIONS WILL BE USED ON EVERY DRAWING.**