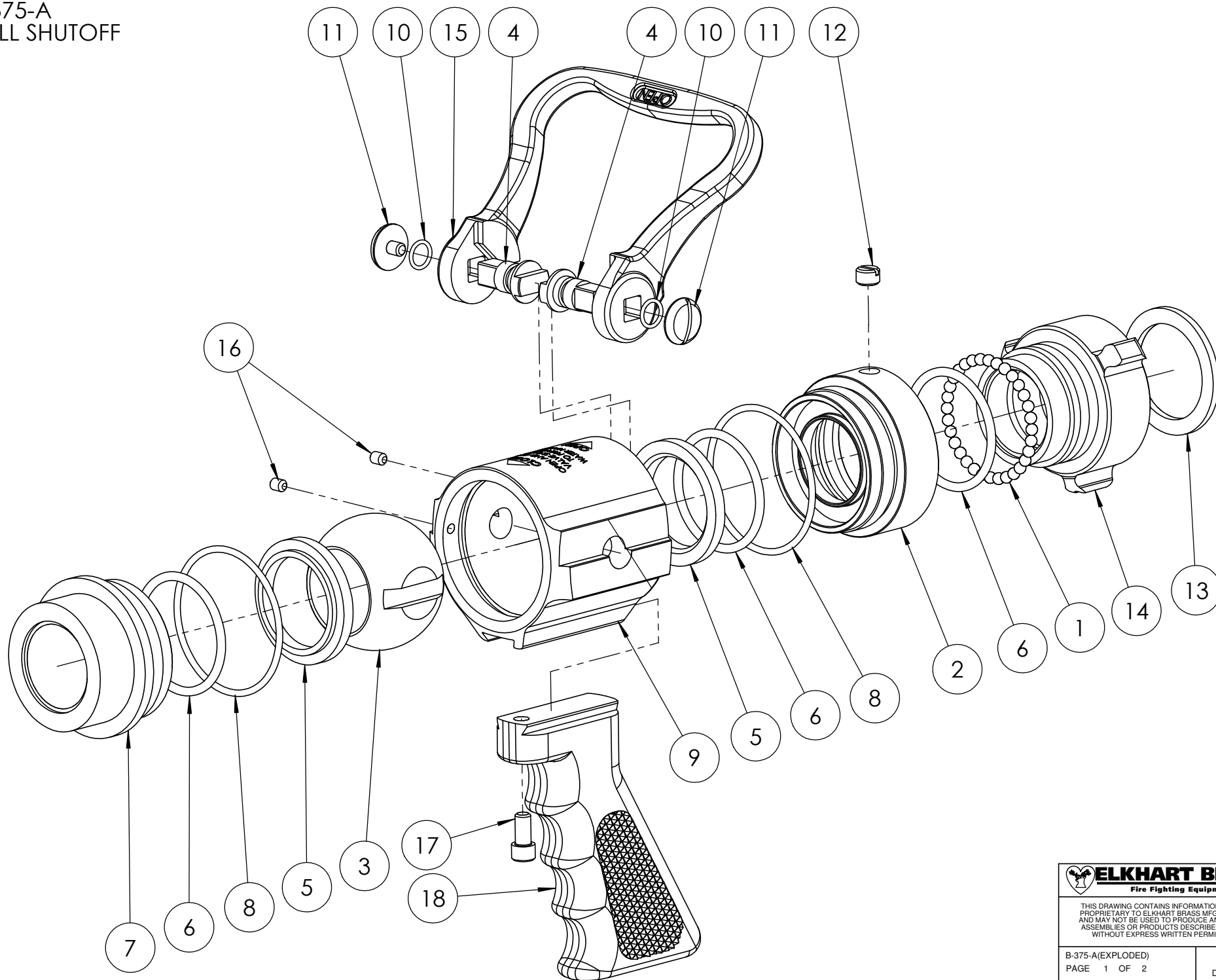


B-375-A
BALL SHUTOFF



ELKHART BRASS
Fire Fighting Equipment

THIS DRAWING CONTAINS INFORMATION THAT IS PROPRIETARY TO ELKHART BRASS MFG CO., INC. AND MAY NOT BE USED TO PRODUCE ANY PARTS, ASSEMBLIES OR PRODUCTS DESCRIBED HEREIN WITHOUT EXPRESS WRITTEN PERMISSION

B-375-A(EXPLODED) PAGE 1 OF 2	PARTS DRAWING
----------------------------------	------------------

ITEM NO.	PART NUMBER	DESCRIPTION	QTY.
1	15018000	0.187 STAINLESS STEEL BALL	32
2	11625001	ADAPTER 1.5 F/S BASE	1
3	17326001	1.375 VALVE BALL	1
4	65305000	SHAFT ACTUATOR SQ N/S GAT	2
5	63863000	VALVE SEAT FOR 1.375 WW BALL	2
6	57309000	O RING AS-568-224 1.734 X.139	3
7	10838001	OUTLET-ADAPTER	1
8	57324000	O RING AS-568-140 2.237 X.103	2
9	17748001	BODY DD/DS SHUTOFF VALVE	1
10	57298000	O RING AS-568-012 .364 X.070	2
11	61286000	SCREW - SHAFT	2
12	63688000	SCREW-SET (.375-24 X .25) BLACK NYLON (6/6)	1
13	33074000	GASKET-RUBBER 2.062X1.562X.125TH	1
14	16765001	1.5 F/S BASE FOR 1.375 DIA WW SHUTOFFS	1
15	36684005	HANDLE - HORSHU	1
16	61269000	SCREW 10-32X0.250 SOC SET SS	2
17	61040000	SCREW 250-20X0.500 SOC CAP SS	1
18	33781001	PISTOL GRIP	1

PISTOL GRIP
OPTION

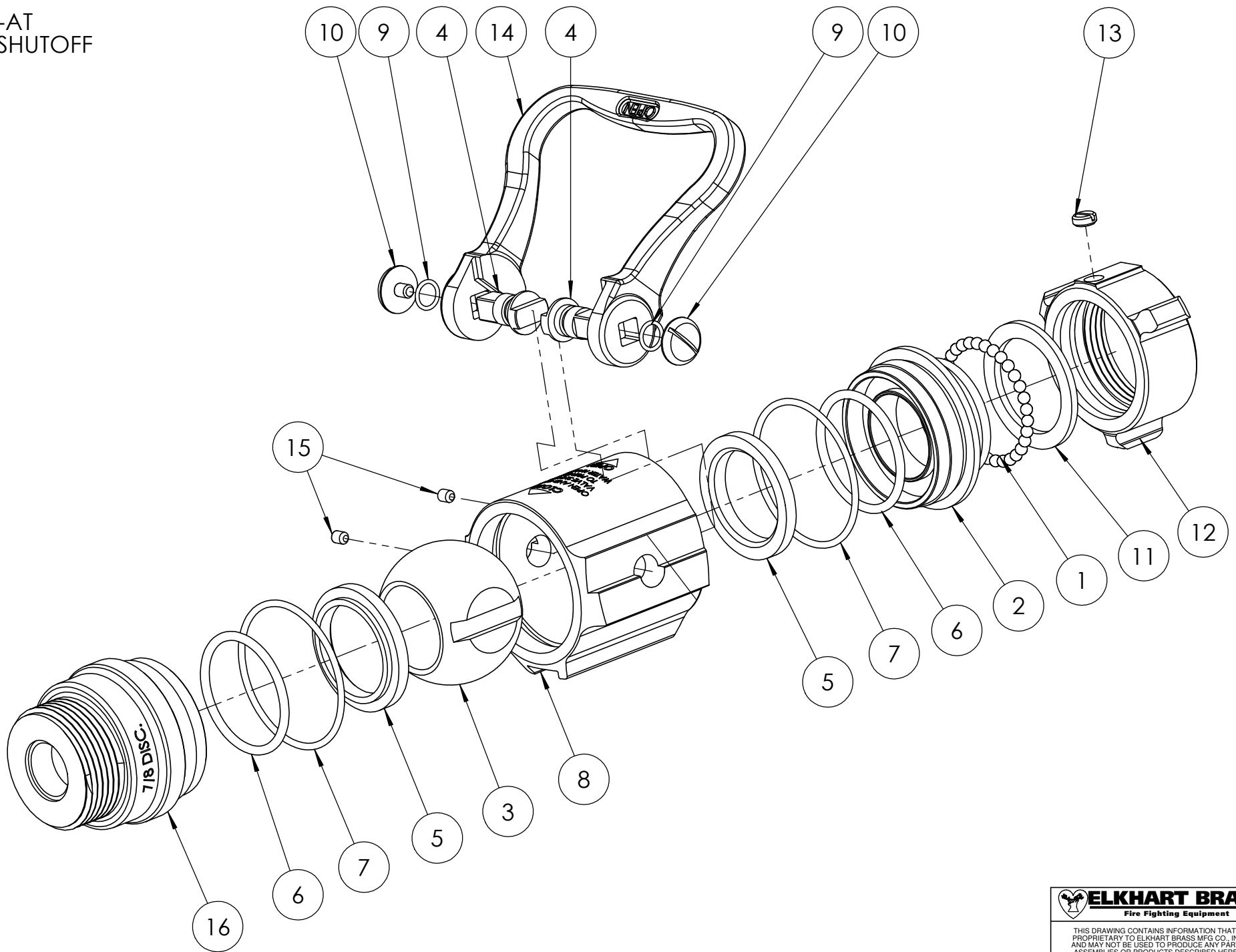


THIS DRAWING CONTAINS INFORMATION THAT IS PROPRIETARY TO ELKHART BRASS MFG CO., INC. AND MAY NOT BE USED TO PRODUCE ANY PARTS, ASSEMBLIES OR PRODUCTS DESCRIBED HEREIN WITHOUT EXPRESS WRITTEN PERMISSION

B-375-A(EXPLODED)
PAGE 2 OF 2

PARTS
DRAWING

B-375-AT
BALL SHUTOFF




ELKHART BRASS
Fire Fighting Equipment

THIS DRAWING CONTAINS INFORMATION THAT IS PROPRIETARY TO ELKHART BRASS MFG CO., INC. AND MAY NOT BE USED TO PRODUCE ANY PARTS, ASSEMBLIES OR PRODUCTS DESCRIBED HEREIN WITHOUT EXPRESS WRITTEN PERMISSION

B-375-AT(EXPLODED) PAGE 1 OF 2	PARTS DRAWING
-----------------------------------	------------------

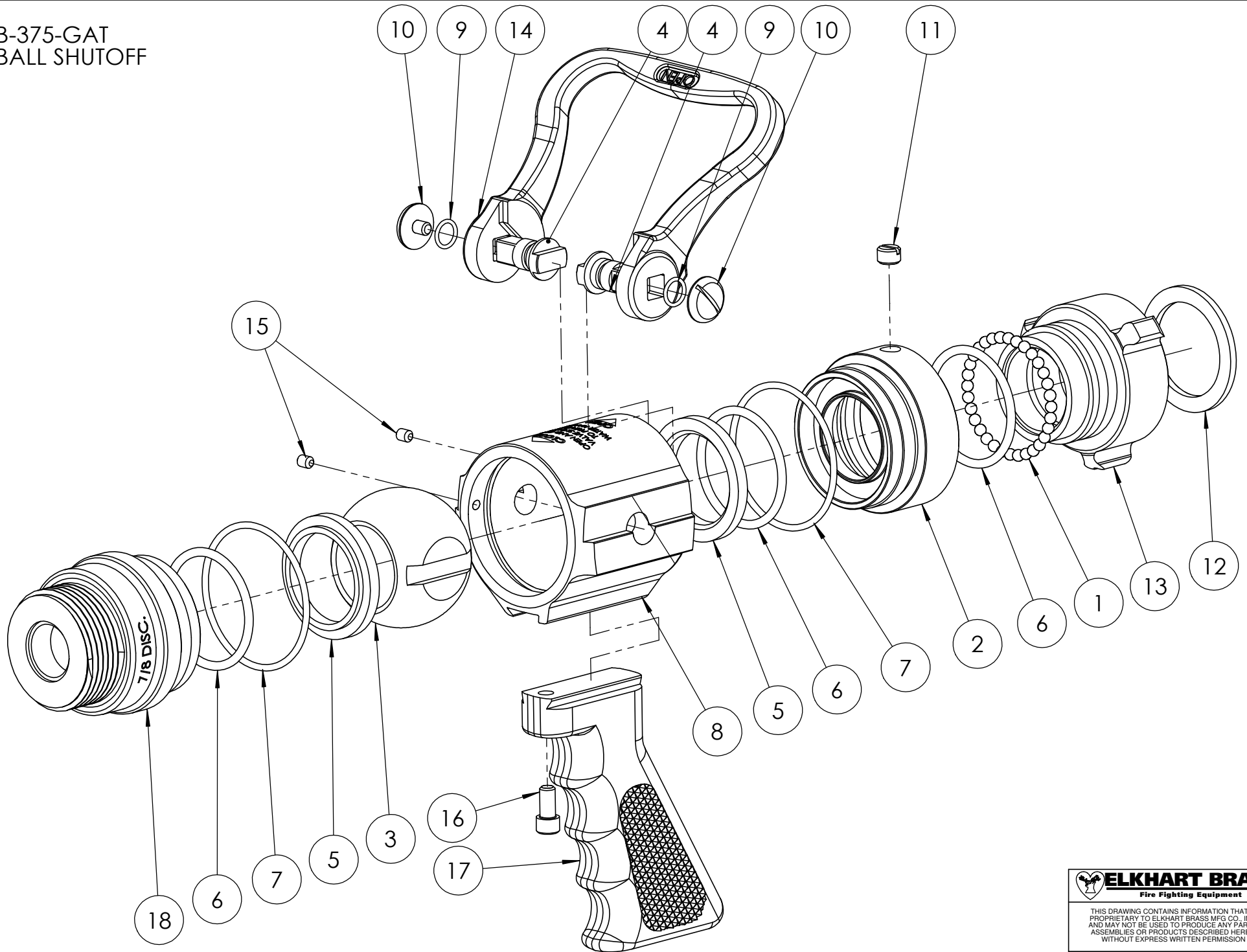
ITEM NO.	PART NUMBER	DESCRIPTION	QTY.
1	15018000	0.187 STAINLESS STEEL BALL	32
2	11626001	ADAPTER-BASE 1.5 B/G SWIVEL	1
3	17328001	BALL VALVE (1.375)	1
4	65305000	SHAFT ACTUATOR SQ N/S GAT	2
5	63863000	VALVE SEAT FOR 1.375 WW BALL	2
6	57309000	O RING AS-568-224 1.734 X.139	2
7	57324000	O RING AS-568-140 2.237 X.103	2
8	17748001	BODY DD/DS SHUTOFF VALVE	1
9	57298000	O RING AS-568-012 .364 X.070	2
10	61286000	SCREW - SHAFT	2
11	33074000	GASKET-RUBBER 2.062X1.562X.125TH	1
12	63068001	SWIVEL - B/G 3-R/L (ALUM) 1.5" THD'S PER ORDER	1
13	63674000	SCREW-SET (SLOTTED) NYLON 3/8-24 X 0.156-LG	1
14	36684005	HANDLE - HORSHU	1
15	61269000	SCREW 10-32X0.250 SOC SET SS	2
16	10833001	ADPT TIP 1.5NH 7/8 B-375-AT	1
16	10834001	ADPT TIP 1.5NH 15/16 B-375-AT	1
16	10835001	ADPT TIP 1.5NH 1.0 B-375-AT	1
16	10836001	ADPT TIP 1.5NH 1-1/8 B-375-AT	1
16	10837001	ADPT TIP 1.5NH 1-1/4 B-375-AT	1

 **ELKHART BRASS**
Fire Fighting Equipment

THIS DRAWING CONTAINS INFORMATION THAT IS PROPRIETARY TO ELKHART BRASS MFG CO., INC. AND MAY NOT BE USED TO PRODUCE ANY PARTS, ASSEMBLIES OR PRODUCTS DESCRIBED HEREIN WITHOUT EXPRESS WRITTEN PERMISSION

B-375-AT(EXPLODED) PAGE 2 OF 2	PARTS DRAWING
-----------------------------------	------------------

B-375-GAT
BALL SHUTOFF




 **ELKHART BRASS**
Fire Fighting Equipment

THIS DRAWING CONTAINS INFORMATION THAT IS PROPRIETARY TO ELKHART BRASS MFG CO., INC. AND MAY NOT BE USED TO PRODUCE ANY PARTS, ASSEMBLIES OR PRODUCTS DESCRIBED HEREIN WITHOUT EXPRESS WRITTEN PERMISSION

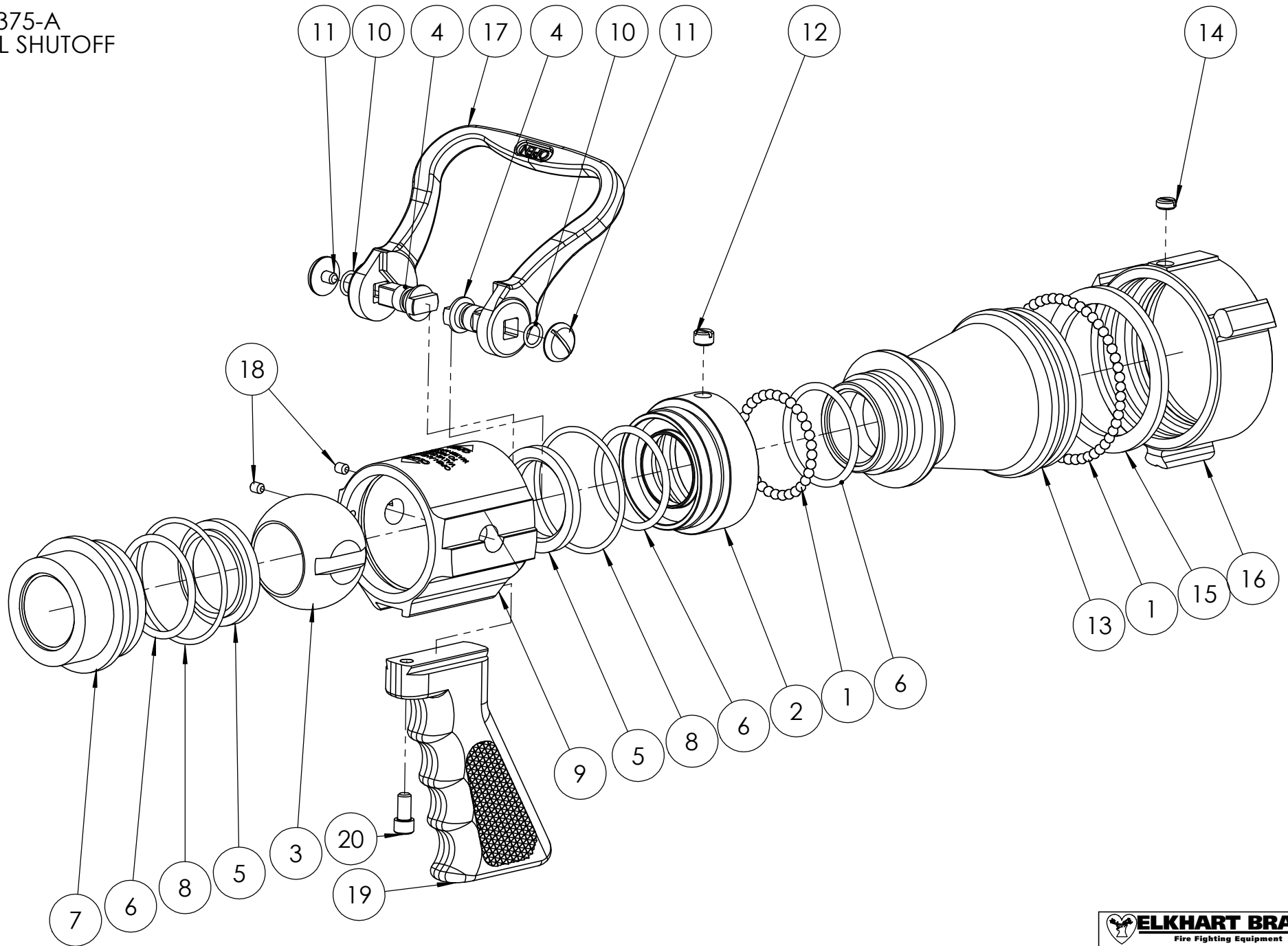
B-375-GAT(EXPLODED)
PAGE 1 OF 2

PARTS
DRAWING

ITEM NO.	PART NUMBER	DESCRIPTION	QTY.
1	15018000	0.187 STAINLESS STEEL BALL	32
2	11625001	ADAPTER 1.5 F/S BASE	1
3	17328001	BALL VALVE (1.375)	1
4	65305000	SHAFT ACTUATOR SQ N/S GAT	2
5	63863000	VALVE SEAT FOR 1.375 WW BALL	2
6	57309000	O RING AS-568-224 1.734 X.139	3
7	57324000	O RING AS-568-140 2.237 X.103	2
8	17748001	BODY DD/DS SHUTOFF VALVE	1
9	57298000	O RING AS-568-012 .364 X.070	2
10	61286000	SCREW - SHAFT	2
11	63688000	SCREW-SET (.375-24 X .25) BLACK NYLON (6/6)	1
12	33074000	GASKET-RUBBER 2.062X1.562X.125TH	1
13	16765001	1.5 F/S BASE FOR 1.375 DIA WW SHUTOFFS	1
14	36684005	HANDLE - HORSHU	1
15	61269000	SCREW 10-32X0.250 SOC SET SS	2
16	61040000	SCREW 250-20X0.500 SOC CAP SS	1
17	33781001	PISTOL GRIP	1
18	10833001	ADPT TIP 1.5NH 7/8 B-375-AT	1
18	10834001	ADPT TIP 1.5NH 15/16 B-375-AT	1
18	10835001	ADPT TIP 1.5NH 1.0 B-375-AT	1
18	10836001	ADPT TIP 1.5NH 1-1/8 B-375-AT	1
18	10837001	ADPT TIP 1.5NH 1-1/4 B-375-AT	1

	
<small>THIS DRAWING CONTAINS INFORMATION THAT IS PROPRIETARY TO ELKHART BRASS MFG CO., INC. AND MAY NOT BE USED TO PRODUCE ANY PARTS, ASSEMBLIES OR PRODUCTS DESCRIBED HEREIN WITHOUT EXPRESS WRITTEN PERMISSION</small>	
B-375-GAT(EXPLODED) PAGE 2 OF 2	PARTS DRAWING

DB-375-A
BALL SHUTOFF



THIS DRAWING CONTAINS INFORMATION THAT IS PROPRIETARY TO ELKHART BRASS MFG CO., INC. AND MAY NOT BE USED TO PRODUCE ANY PARTS, ASSEMBLIES OR PRODUCTS DESCRIBED HEREIN WITHOUT EXPRESS WRITTEN PERMISSION


DB-375-A (EXPLODED)
PAGE 1 OF 2

PARTS
DRAWING

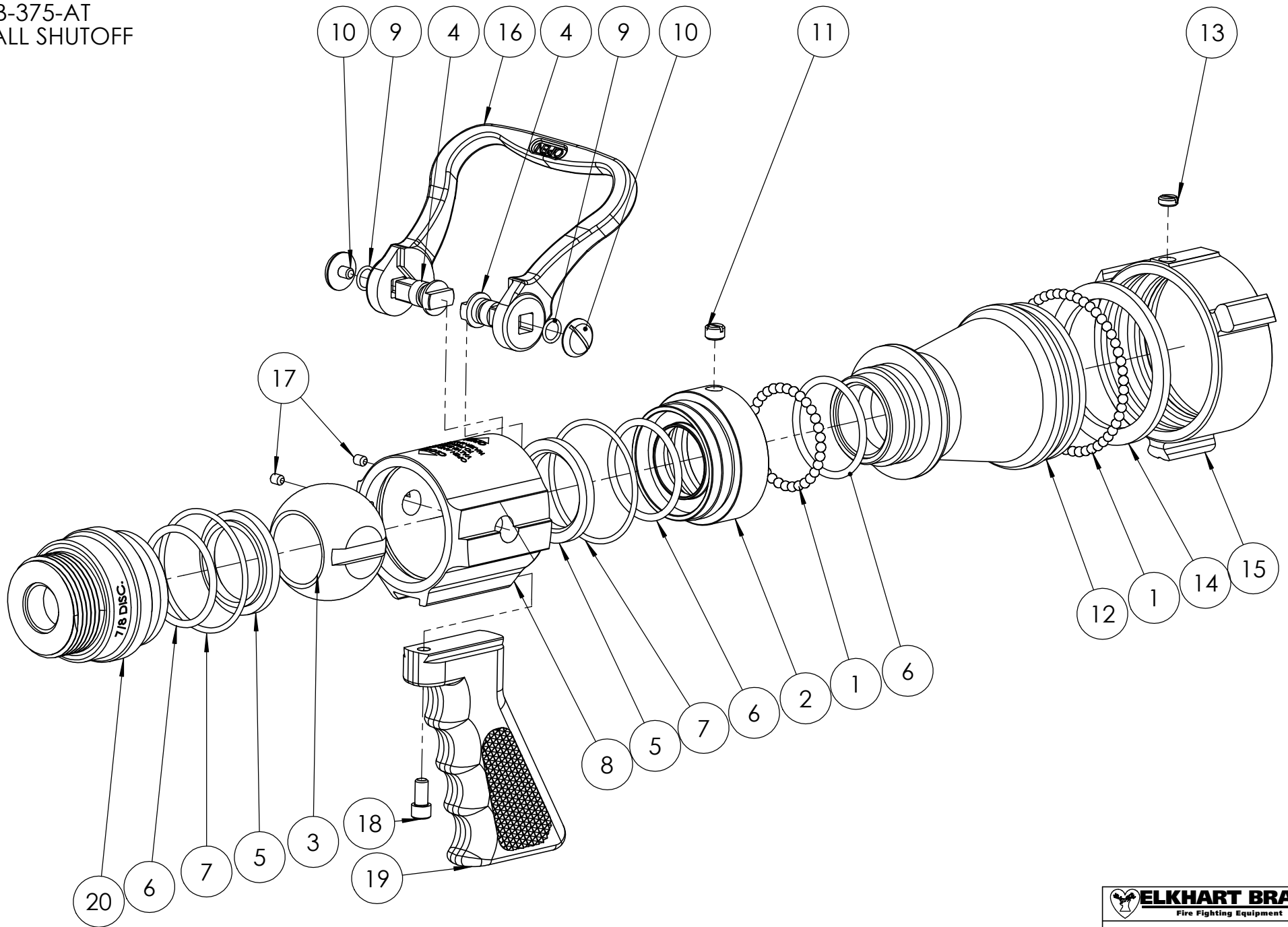
ITEM NO.	PART NUMBER	DESCRIPTION	QTY.
1	15018000	0.187 STAINLESS STEEL BALL	84
2	11625001	ADAPTER 1.5 F/S BASE	1
3	17326001	1.375 VALVE BALL	1
4	65305000	SHAFT ACTUATOR SQ N/S GAT	2
5	63863000	VALVE SEAT FOR 1.375 WW BALL	2
6	57309000	O RING AS-568-224 1.734 X.139	3
7	10838001	OUTLET-ADAPTER	1
8	57324000	O RING AS-568-140 2.237 X.103	2
9	17748001	BODY DD/DS SHUTOFF VALVE	1
10	57298000	O RING AS-568-012 .364 X.070	2
11	61286000	SCREW - SHAFT	2
12	63688000	SCREW-SET (.375-24 X .25) BLACK NYLON (6/6)	1
13	15634001	2.5 F/S BASE DIRECT CONNECT	1
14	63674000	SCREW-SET (SLOTTED) NYLON 3/8-24 X 0.156-LG	1
15	33083000	GASKET R 3.187 X 2.562 X .187TH	1
16	63069001	2.5 NH SWIVEL HARDCOATED	1
17	36684005	HANDLE - HORSHU	1
18	61269000	SCREW 10-32X0.250 SOC SET SS	2
19	33781001	PISTOL GRIP	1
20	61040000	SCREW 250-20X0.500 SOC CAP SS	1

PISTOL GRIP
OPTION



 ELKHART BRASS Fire Fighting Equipment	
THIS DRAWING CONTAINS INFORMATION THAT IS PROPRIETARY TO ELKHART BRASS MFG CO., INC. AND MAY NOT BE USED TO PRODUCE ANY PARTS, ASSEMBLIES OR PRODUCTS DESCRIBED HEREIN WITHOUT EXPRESS WRITTEN PERMISSION	
DB-375-A (EXPLODED) PAGE 2 OF 2	PARTS DRAWING

DB-375-AT
BALL SHUTOFF




ELKHART BRASS
Fire Fighting Equipment

THIS DRAWING CONTAINS INFORMATION THAT IS PROPRIETARY TO ELKHART BRASS MFG CO., INC. AND MAY NOT BE USED TO PRODUCE ANY PARTS, ASSEMBLIES OR PRODUCTS DESCRIBED HEREIN WITHOUT EXPRESS WRITTEN PERMISSION

DB-375-AT (EXPLODED)
PAGE 1 OF 2

PARTS
DRAWING

ITEM NO.	PART NUMBER	DESCRIPTION	QTY.
1	15018000	0.187 STAINLESS STEEL BALL	84
2	11625001	ADAPTER 1.5 F/S BASE	1
3	17328001	BALL VALVE (1.375)	1
4	65305000	SHAFT ACTUATOR SQ N/S GAT	2
5	63863000	VALVE SEAT FOR 1.375 WW BALL	2
6	57309000	O RING AS-568-224 1.734 X.139	3
7	57324000	O RING AS-568-140 2.237 X.103	2
8	17748001	BODY DD/DS SHUTOFF VALVE	1
9	57298000	O RING AS-568-012 .364 X.070	2
10	61286000	SCREW - SHAFT	2
11	63688000	SCREW-SET (.375-24 X .25) BLACK NYLON (6/6)	1
12	15634001	2.5 F/S BASE DIRECT CONNECT	1
13	63674000	SCREW-SET (SLOTTED) NYLON 3/8-24 X 0.156-LG	1
14	33083000	GASKET R 3.187 X 2.562 X .187TH	1
15	63069001	2.5 NH SWIVEL HARDCOATED	1
16	36684005	HANDLE - HORSHU	1
17	61269000	SCREW 10-32X0.250 SOC SET SS	2
18	61040000	SCREW 250-20X0.500 SOC CAP SS	1
19	33781001	PISTOL GRIP	1
20	10833001	ADPT TIP 1.5NH 7/8 B-375-AT	1
20	10834001	ADPT TIP 1.5NH 15/16 B-375-AT	1
20	10835001	ADPT TIP 1.5NH 1.0 B-375-AT	1
20	10836001	ADPT TIP 1.5NH 1-1/8 B-375-AT	1
20	10837001	ADPT TIP 1.5NH 1-1/4 B-375-AT	1

 ELKHART BRASS Fire Fighting Equipment	
<small>THIS DRAWING CONTAINS INFORMATION THAT IS PROPRIETARY TO ELKHART BRASS MFG CO., INC. AND MAY NOT BE USED TO PRODUCE ANY PARTS, ASSEMBLIES OR PRODUCTS DESCRIBED HEREIN WITHOUT EXPRESS WRITTEN PERMISSION</small>	
DB-375-AT (EXPLODED)	PARTS DRAWING
PAGE 2 OF 2	