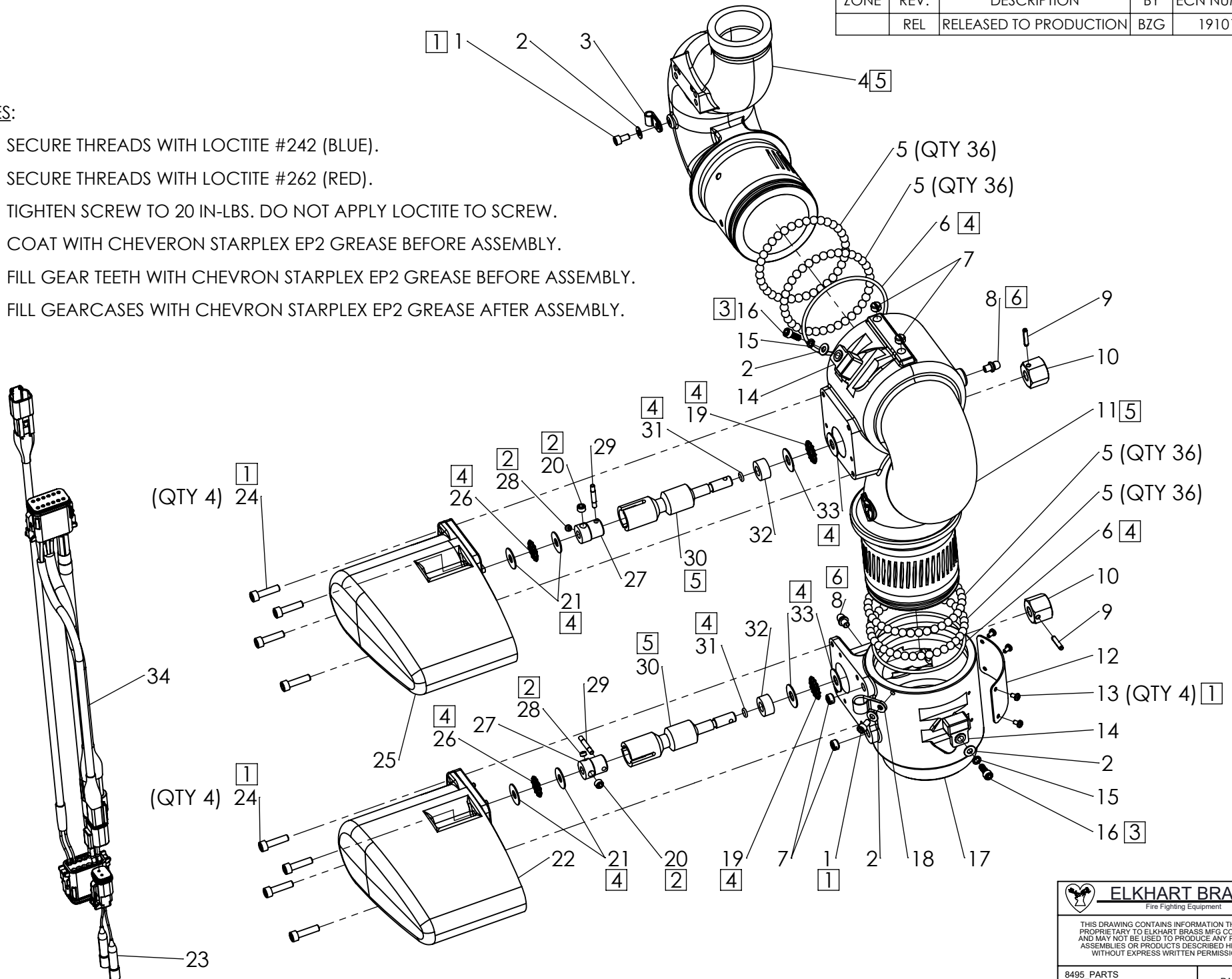



ZONE	REV.	DESCRIPTION	BY	ECN NUMBER
	REL	RELEASED TO PRODUCTION	BZG	191016


NOTES:

- [1] SECURE THREADS WITH LOCTITE #242 (BLUE).
- [2] SECURE THREADS WITH LOCTITE #262 (RED).
- [3] TIGHTEN SCREW TO 20 IN-LBS. DO NOT APPLY LOCTITE TO SCREW.
- [4] COAT WITH CHEVERON STARPLEX EP2 GREASE BEFORE ASSEMBLY.
- [5] FILL GEAR TEETH WITH CHEVRON STARPLEX EP2 GREASE BEFORE ASSEMBLY.
- [6] FILL GEARCASES WITH CHEVRON STARPLEX EP2 GREASE AFTER ASSEMBLY.



 <b>ELKHART BRASS</b> Fire Fighting Equipment	
THIS DRAWING CONTAINS INFORMATION THAT IS PROPRIETARY TO ELKHART BRASS MFG CO., INC. AND MAY NOT BE USED TO PRODUCE ANY PARTS, ASSEMBLIES OR PRODUCTS DESCRIBED HEREIN WITHOUT EXPRESS WRITTEN PERMISSION	
8495 PARTS PAGE 1 OF 2 09/23/2019	PARTS DRAWING

ITEM NO.	PART NUMBER	DESCRIPTION	QTY.
1	64155000	SCREW 8-32X0.3125 SOC CAP SS	2
2	71609000	WASHER #8	4
3	23571000	CLAMP - NYLON LOOP (0.203-ID)	1
4	18292RP1	BODY - OUTLET 8495 W/MAGNETS & PNT	1
5	15027000	BALL (0.250 DIA) STAINLESS STEEL	144
6	57502000	O RING AS-568-148F 2.737 X.103 FLUOROCARBON	2
7	63687000	SETSCREW-.312-18 x .187L	4
8	31011000	Grease Fitting (3/16 DR-SS)	2
9	51248000	PIN ROLL 79-028-125-0.625	2
10	47652001	NUT OVERRIDE (3/4 HEX BR) 8494	2
11	18291RP1	BODY - INLET 8495 W/MAGNETS & PNT	1
12	44835001	LABEL- 8495 NAMEPLATE	1
13	61215000	4 X .187 PHLP PAN HD TYPE-B SS	4
14	67569000	SENSOR - EOT (8495)	2
15	71705000	WASHER - LOCK #8, 316 SS	2
16	64168000	SCREW - 8-32 X 0.4375 LG	2
17	18041RP1	BASE-MONITOR 1.5 FNPT 8495 W/PNT	1
17	18042RP1	BASE-MONITOR 2.0 FNPT 8495 W/PNT	1
18	24507000	CLAMP - NYLON LOOP 0.375 DIA	1
19	17702000	BEARING THRUST 5/16"	2
20	65219000	SCREW 250-28X0.187-LG SET SS	2
21	71515000	THRUST WASHER 1/4" SS	4
22	81861RP1	MOTOR ELEC (HORIZ) 8495 SUB W/PNT	1
23	37548000	HARNESS - MONITOR POWER PIGTAIL 8495	1
24	64072000	SCREW 10-32X0.750 SOC CAP SS	8
25	81863RP1	MOTOR ELEC (VERT) 8495 SUB W/PNT	1
26	17701000	BEARING THRUST 1/4"	2
27	20991001	COUPLING - SHAFT	2
28	65201000	SCREW 10-32X0.125 SOC SET (CUP) SS	2
29	51071000	PIN-DRIVLOC (0.125 DIA X .875 LG)	2
30	63935901	SHAFT-WORM	2
31	57380000	O RING AS-568-008 .176 X.070	2
32	63601001	SPACER	2
33	71516000	WASHER-THRUST (5/16)	4
34	37549000	HARNESS - 8495 MOTOR COVER	1

 <b>ELKHART BRASS</b> <small>Fire Fighting Equipment</small>	
<small>THIS DRAWING CONTAINS INFORMATION THAT IS  PROPRIETARY TO ELKHART BRASS MFG CO., INC.  AND MAY NOT BE USED TO PRODUCE ANY PARTS,  ASSEMBLIES OR PRODUCTS DESCRIBED HEREIN  WITHOUT EXPRESS WRITTEN PERMISSION</small>	
8495_PARTS PAGE 2 OF 2 09/23/2019	PARTS DRAWING