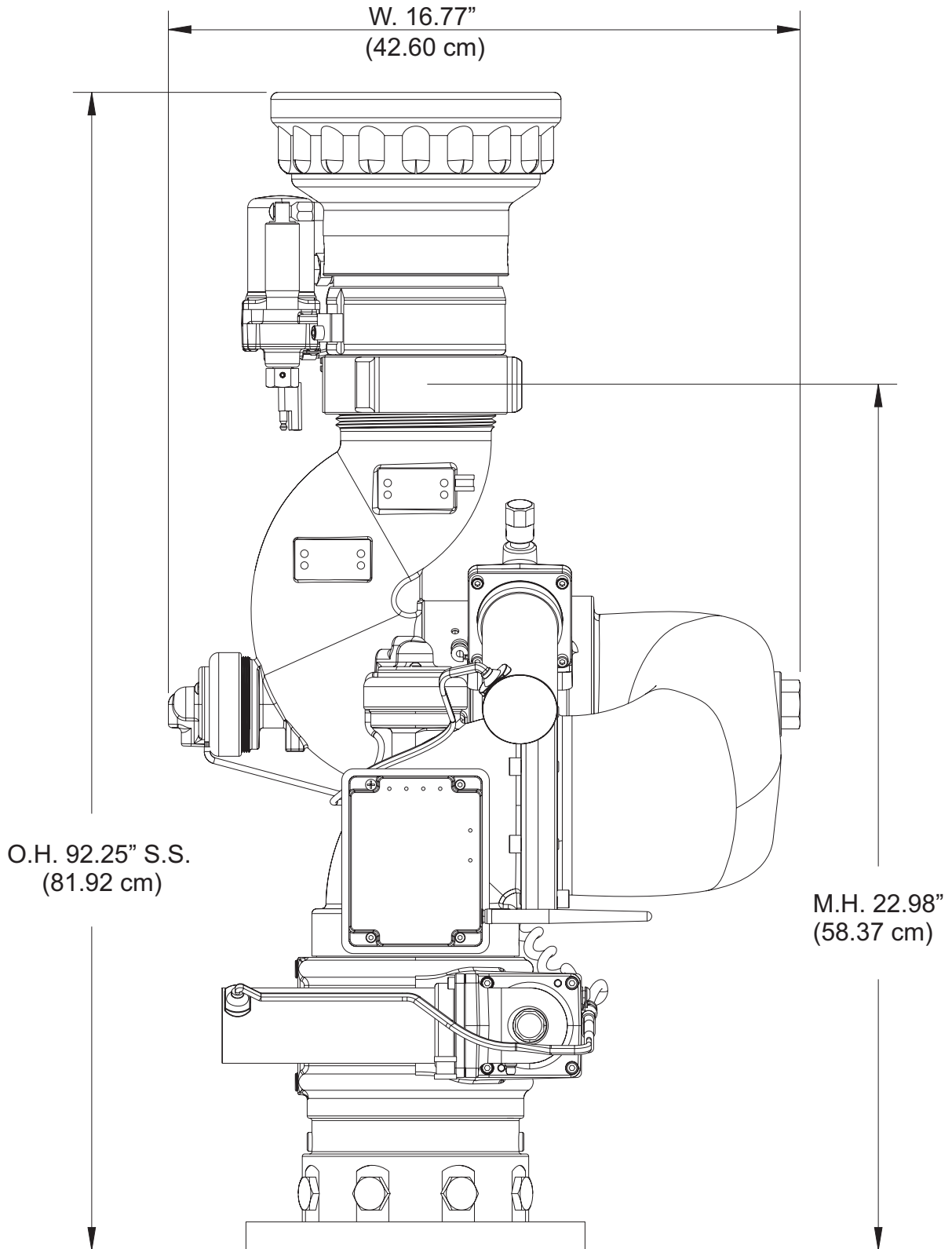

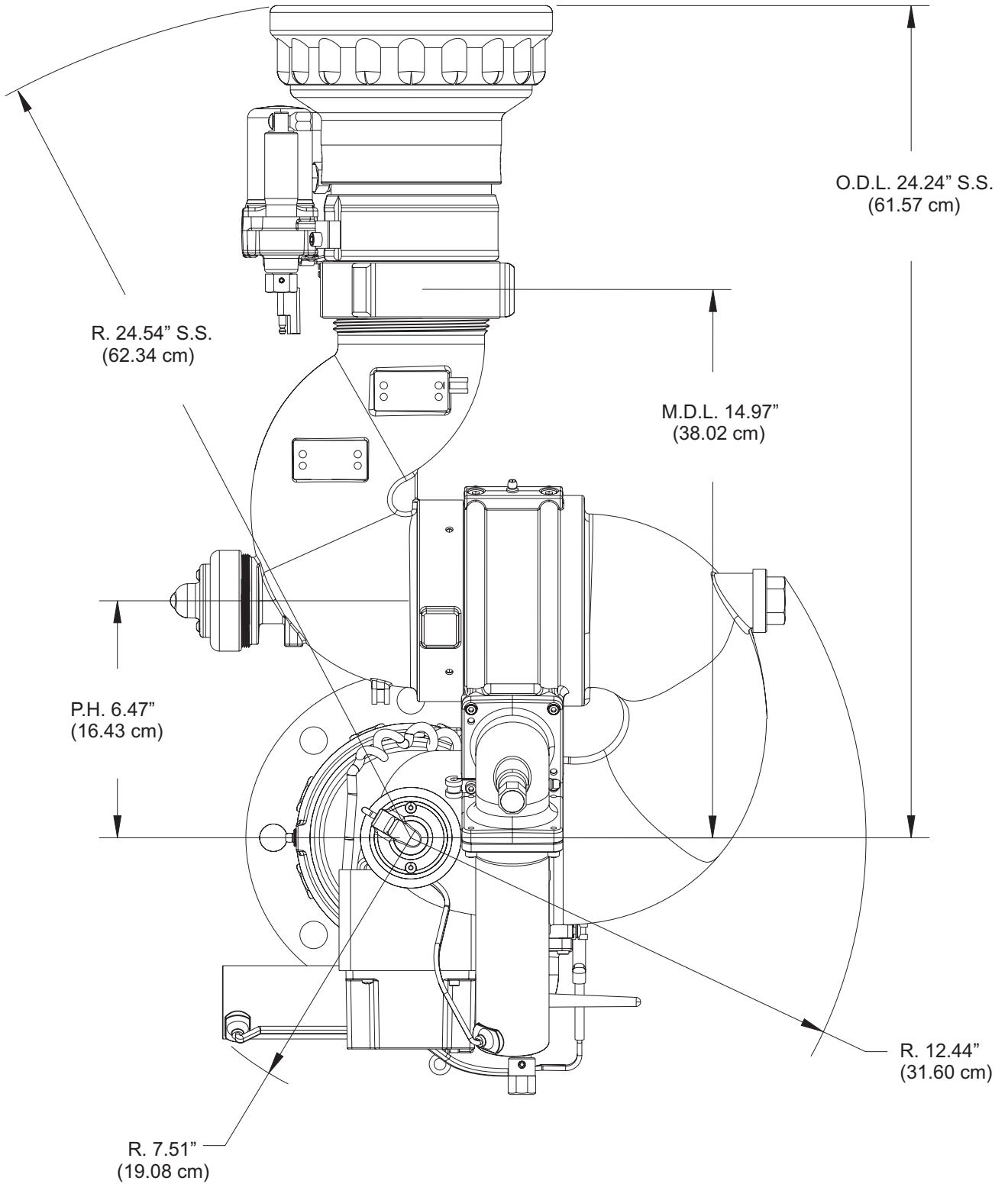

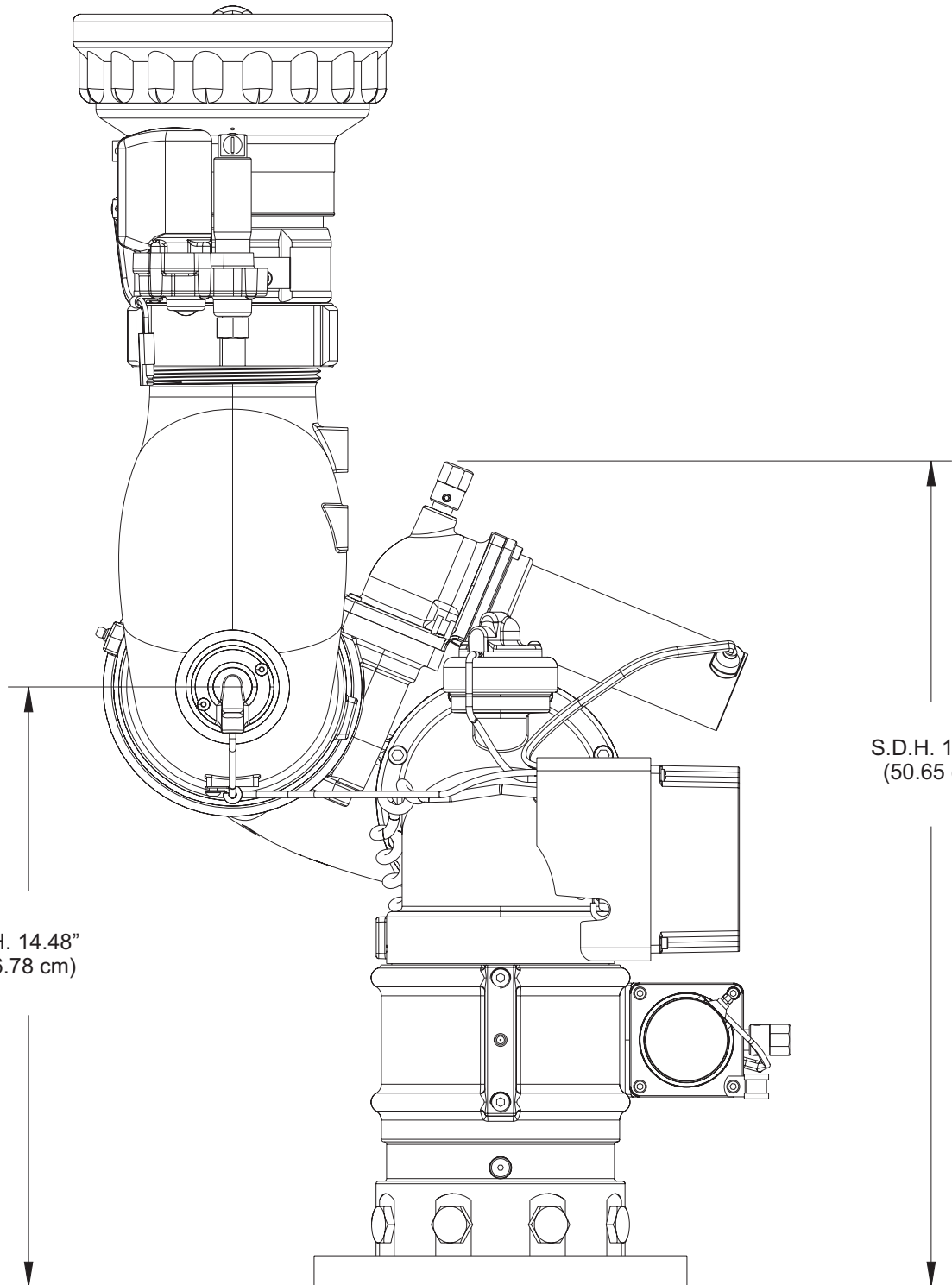
	ELKHART BRASS MFG. CO., INC. ELKHART, INDIANA
THIS DRAWING CONTAINS INFORMATION THAT IS PROPRIETARY TO ELKHART BRASS MFG. CO., INC. AND MAY NOT BE USED TO PRODUCE ANY PARTS, ASSEMBLIES OR PRODUCTS DESCRIBED HEREIN WITHOUT EXPRESS WRITTEN PERMISSION.	
SCORPION-EXM 7400-EXM PAGE 1 OF 5 02/2011	BASE DIMENSIONAL



	ELKHART BRASS MFG. CO., INC. ELKHART, INDIANA
	<small>THIS DRAWING CONTAINS INFORMATION THAT IS PROPRIETARY TO ELKHART BRASS MFG. CO., INC. AND MAY NOT BE USED TO PRODUCE ANY PARTS, ASSEMBLIES OR PRODUCTS DESCRIBED HEREIN WITHOUT EXPRESS WRITTEN PERMISSION.</small>
<small>SCORPION-EXM 7400-EXM PAGE 2 OF 5 02/2011</small>	<small>BACK VIEW DIMENSIONAL</small>




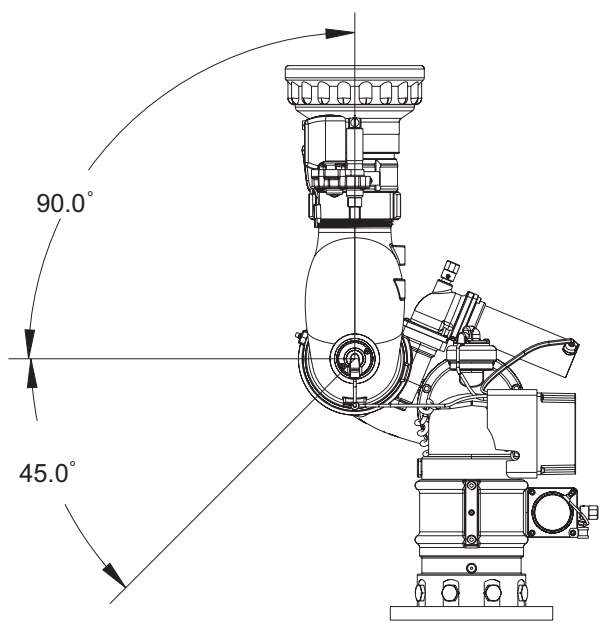
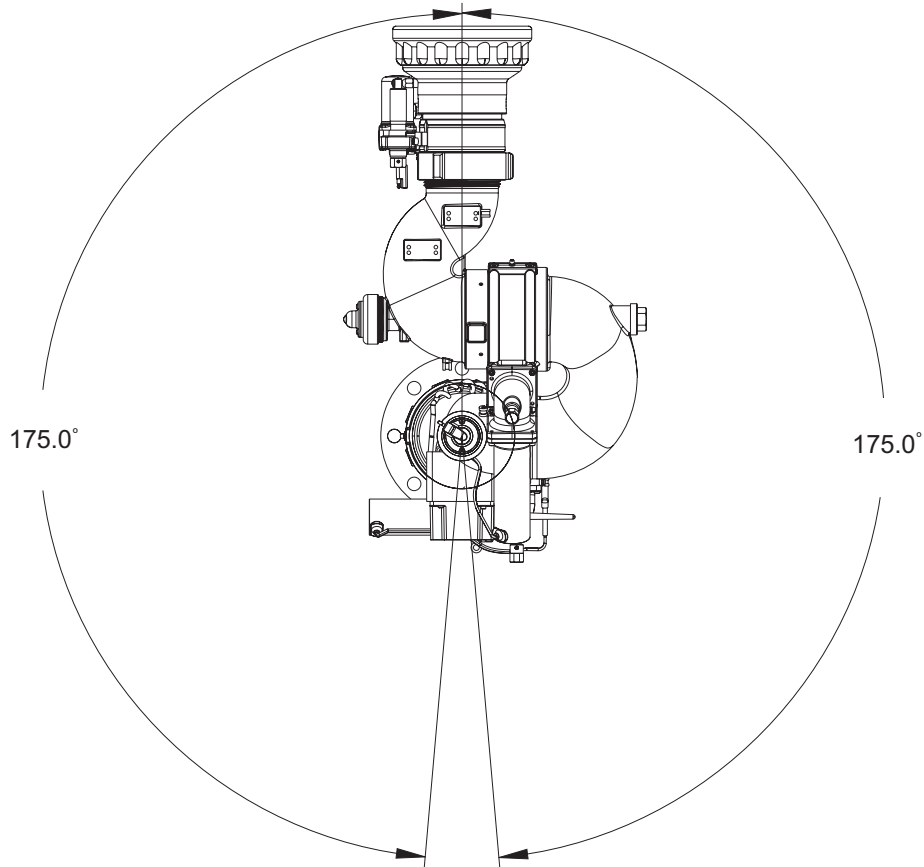
 ELKHART BRASS MFG. CO., INC. ELKHART, INDIANA	
<small>THIS DRAWING CONTAINS INFORMATION THAT IS PROPRIETARY TO ELKHART BRASS MFG. CO., INC. AND MAY NOT BE USED TO PRODUCE ANY PARTS, ASSEMBLIES OR PRODUCTS DESCRIBED HEREIN WITHOUT EXPRESS WRITTEN PERMISSION.</small>	
SCORPION-EXM 7400-EXM PAGE 3 OF 5 02/2011	TOP VIEW DIMENSIONAL




P.H. 14.48"
(36.78 cm)

S.D.H. 19.94"
(50.65 cm)

	ELKHART BRASS MFG. CO., INC. ELKHART, INDIANA	
	THIS DRAWING CONTAINS INFORMATION THAT IS PROPRIETARY TO ELKHART BRASS MFG. CO., INC. AND MAY NOT BE USED TO PRODUCE ANY PARTS, ASSEMBLIES OR PRODUCTS DESCRIBED HEREIN WITHOUT EXPRESS WRITTEN PERMISSION.	
SCORPION-EXM 7400-EXM PAGE 4 OF 5 02/2011	SIDE VIEW DIMENSIONAL	



 ELKHART BRASS MFG. CO., INC. ELKHART, INDIANA	
<small>THIS DRAWING CONTAINS INFORMATION THAT IS PROPRIETARY TO ELKHART BRASS MFG. CO., INC. AND MAY NOT BE USED TO PRODUCE ANY PARTS, ASSEMBLIES OR PRODUCTS DESCRIBED HEREIN WITHOUT EXPRESS WRITTEN PERMISSION.</small>	
SCORPION-EXM 7400-EXM PAGE 5 OF 5 03/2011	RANGE OF MOTION