

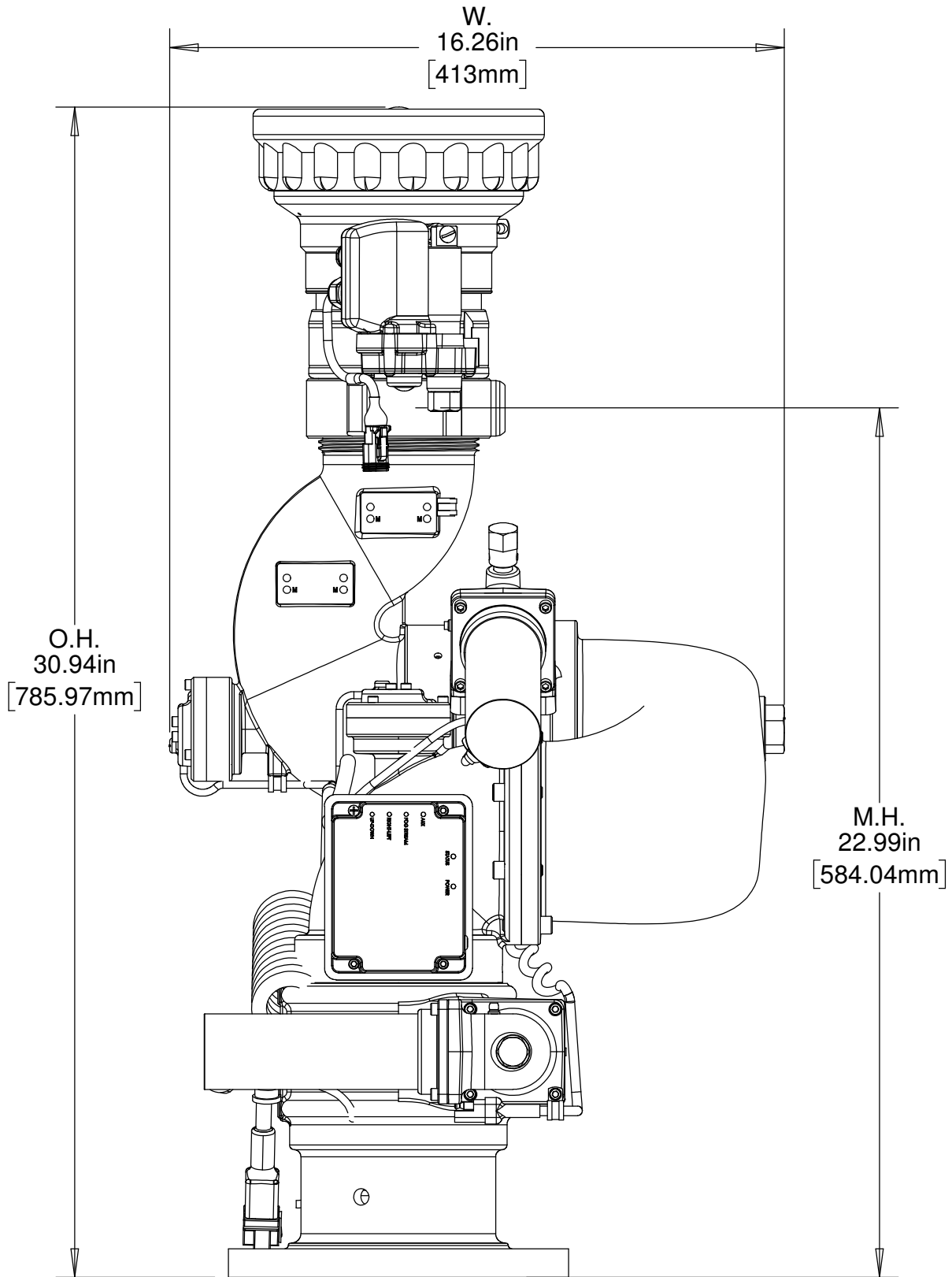
THIS DRAWING CONTAINS INFORMATION THAT IS PROPRIETARY TO ELKHART BRASS MFG CO., INC. AND MAY NOT BE USED TO PRODUCE ANY PARTS, ASSEMBLIES OR PRODUCTS DESCRIBED HEREIN WITHOUT EXPRESS WRITTEN PERMISSION


7400X2 (DIMENSIONAL DRAWING)

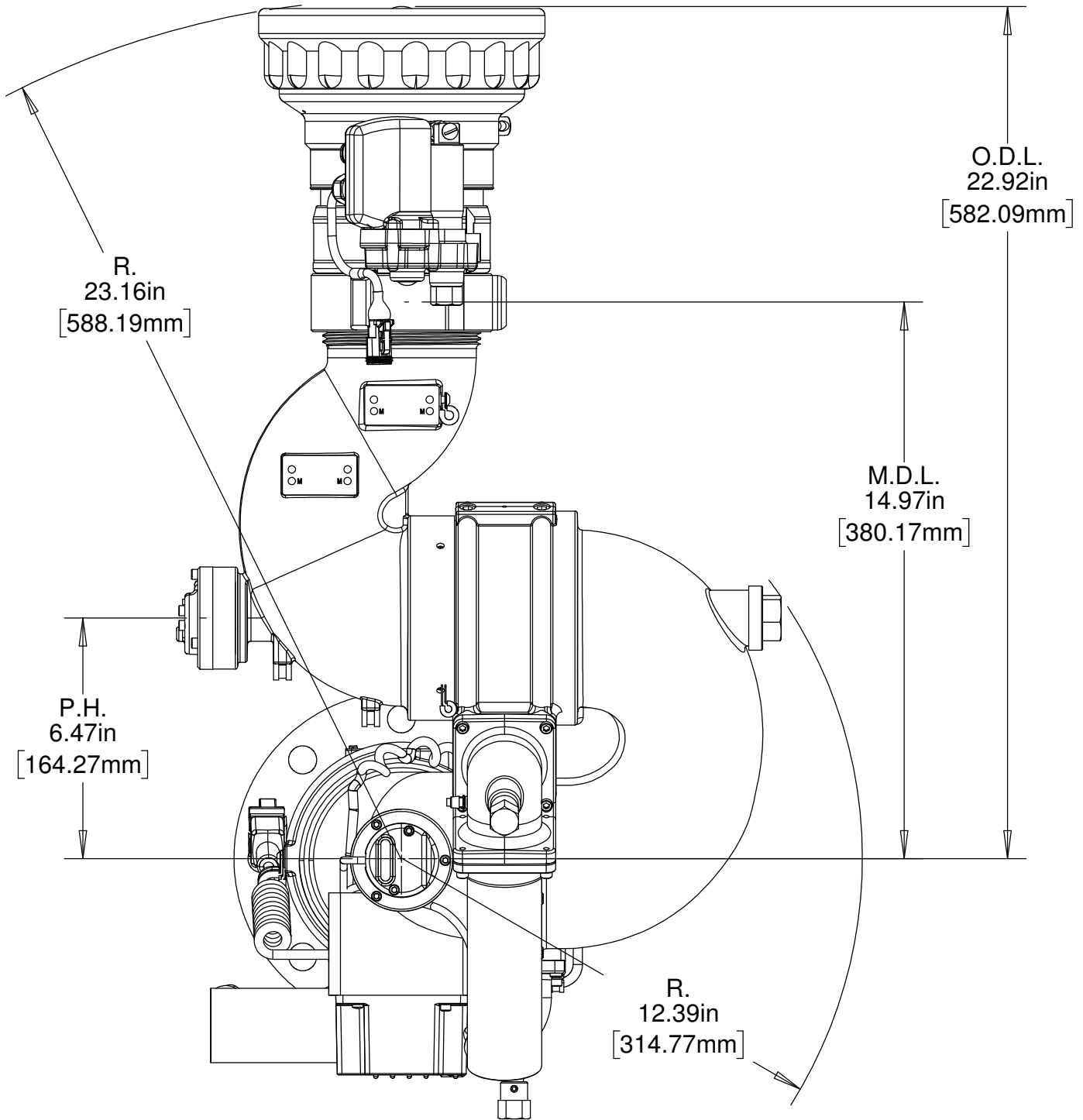
PAGE 1 OF 6
07/18/2019


BASE
DIMENSIONAL

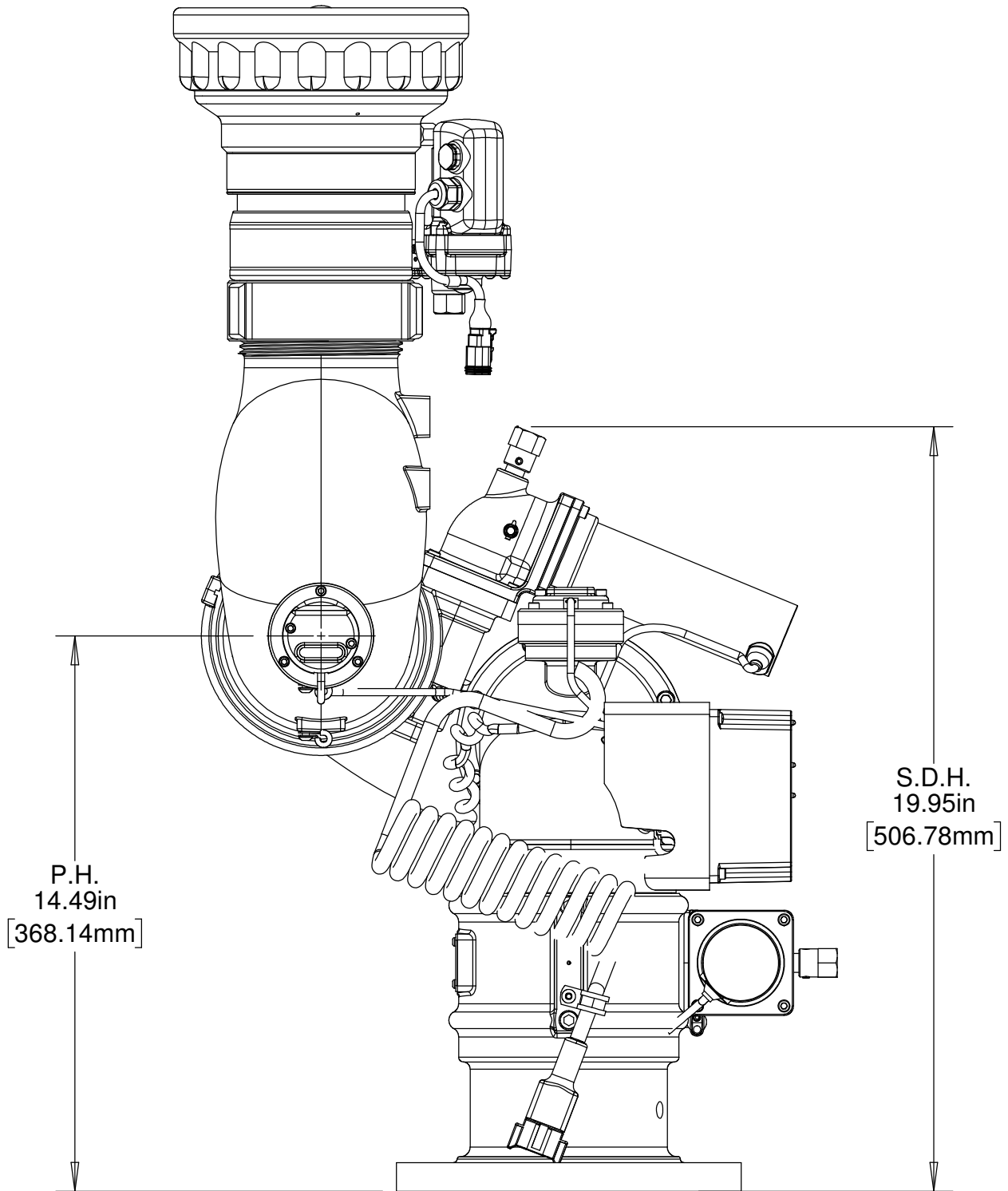
Ver. 1.0



 ELKHART BRASS Fire Fighting Equipment	
<small>THIS DRAWING CONTAINS INFORMATION THAT IS PROPRIETARY TO ELKHART BRASS MFG CO., INC. AND MAY NOT BE USED TO PRODUCE ANY PARTS, ASSEMBLIES OR PRODUCTS DESCRIBED HEREIN WITHOUT EXPRESS WRITTEN PERMISSION</small>	
<small>7400X2 (DIMENSIONAL DRAWING)</small> <small>PAGE 2 OF 6</small> <small>07/18/2019</small>	<small>BACK VIEW</small> <small>DIMENSIONAL</small>



 ELKHART BRASS Fire Fighting Equipment	
<small>THIS DRAWING CONTAINS INFORMATION THAT IS PROPRIETARY TO ELKHART BRASS MFG CO., INC. AND MAY NOT BE USED TO PRODUCE ANY PARTS, ASSEMBLIES OR PRODUCTS DESCRIBED HEREIN WITHOUT EXPRESS WRITTEN PERMISSION</small>	
<small>7400X2 (DIMENSIONAL DRAWING)</small> <small>PAGE 3 OF 6</small> <small>07/18/2019</small>	<small>TOP VIEW</small> <small>DIMENSIONAL</small>



THIS DRAWING CONTAINS INFORMATION THAT IS PROPRIETARY TO ELKHART BRASS MFG CO., INC. AND MAY NOT BE USED TO PRODUCE ANY PARTS, ASSEMBLIES OR PRODUCTS DESCRIBED HEREIN WITHOUT EXPRESS WRITTEN PERMISSION

7400X2 (DIMENSIONAL DRAWING)

PAGE 4 OF 6
07/18/2019

SIDE VIEW
DIMENSIONAL


Ver. 1.0

175°

175°

90°

45°

 ELKHART BRASS Fire Fighting Equipment	
THIS DRAWING CONTAINS INFORMATION THAT IS PROPRIETARY TO ELKHART BRASS MFG CO., INC. AND MAY NOT BE USED TO PRODUCE ANY PARTS, ASSEMBLIES OR PRODUCTS DESCRIBED HEREIN WITHOUT EXPRESS WRITTEN PERMISSION	
7400X2 (DIMENSIONAL DRAWING) PAGE 5 OF 6 07/18/2019	RANGE OF MOTION

Ver. 1.0

DIMENSIONAL ABBREVIATION KEY*

ABBREVIATION	DESCRIPTION
D.L.	DISCHARGE LENGTH
H.H.	HANDLE HEIGHT
H.S.R.	HANDLE SWING RADIUS
M.D.L.	MONITOR DISCHARGE LENGTH
M.H.	MONITOR HEIGHT
O.D.L.	OVERALL DISCHARGE LENGTH
O.H.	OVERALL HEIGHT
O.L.	OVERALL LENGTH
P.H.	PIVOT HEIGHT
P.R.	PIVOT RADIOUS
R.	RADIUS
S.D.H.	STOW DOWN HEIGHT
W.	WIDTH
*NOT ALL ABBREVIATIONS WILL BE USED ON EVERY DRAWING	