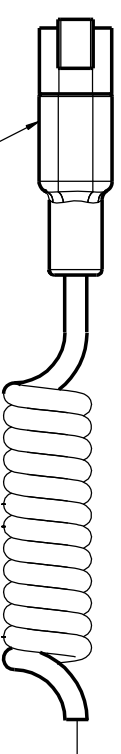


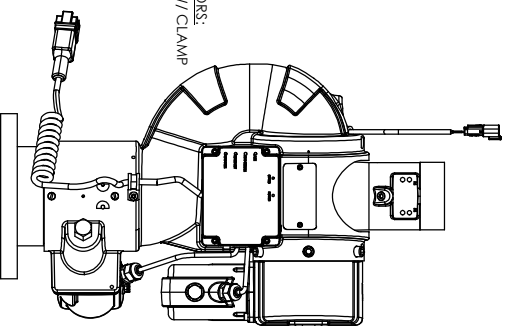
POSITION	WIRE SIZE	COLOR	FUNCTION
1	PLUG		
2	PLUG		
3	PLUG		
4	18 AWG	WHITE	P2-4-SIGNAL
5	18 AWG	BLACK	P2-5-GND
6	18 AWG	BLACK	P2-6-POWER
7	18 AWG	RED	P2-7-POWER
8	18 AWG	BLACK	P2-8-GND
9	18 AWG	WHITE	P2-9-SIGNAL
10	PLUG		
11	PLUG		
12	PLUG		



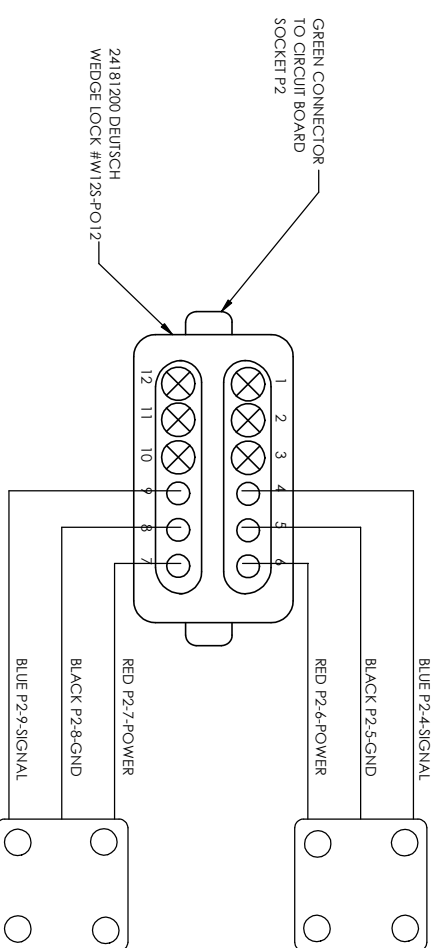
POSITION	WIRE SIZE	COLOR	FUNCTION
1	14 AWG	RED	TRUCK POWER
2	14 AWG	RED/WHITE	TRUCK POWER
3	20 AWG	YELLOW	CAN HIGH
4	20 AWG	WHITE	HWADDR1
5	20 AWG	BROWN	HWADDR2
6	20 AWG	GREEN	CAN LOW
7	14 AWG	BLACK	GROUND
8	14 AWG	BLACK/WHITE	GROUND

POSITION	WIRE SIZE	HD COLOR	FUNCTION	SD COLOR
1	18 AWG	BLACK	P1-1-DOWN	RED
2	18 AWG	RED	P1-2-UP	BLACK
3	18 AWG	BLACK	P1-3-FOG	BLACK
4	18 AWG	RED	P1-4-STREAM	RED
5	18 AWG	BLACK	P1-5-LEFT	BLACK
6	18 AWG	RED	P1-4-RIGHT	RED
7	20 AWG	BROWN	HWADD2	BROWN
8	PLUG		HWADD1	WHITE
9	20 AWG	WHITE	HWADD1	WHITE
10	PLUG			
11	20 AWG	GREEN	CAN LOW	GREEN
12	20 AWG	YELLOW	CAN HIGH	YELLOW

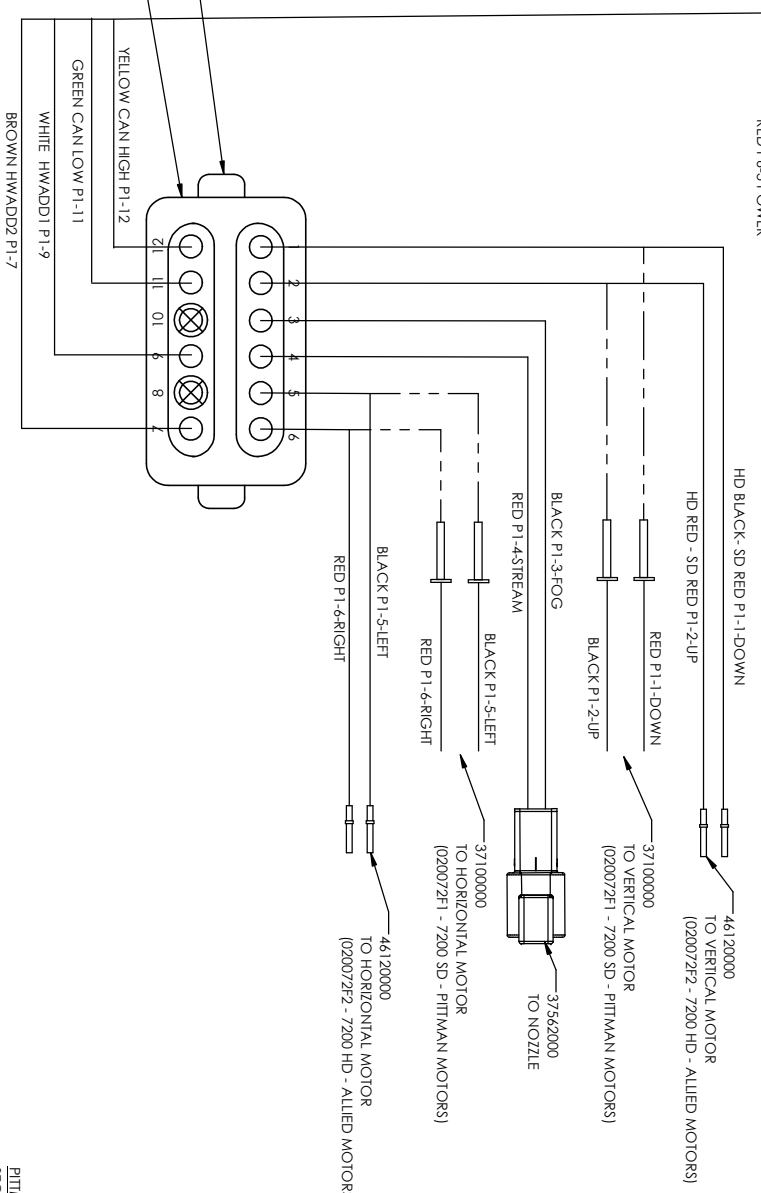
PITTMAN AND ALLIED MOTORS:
SECURE POWER HARNESS W/ CLAMP
LOOP AS SHOWN.



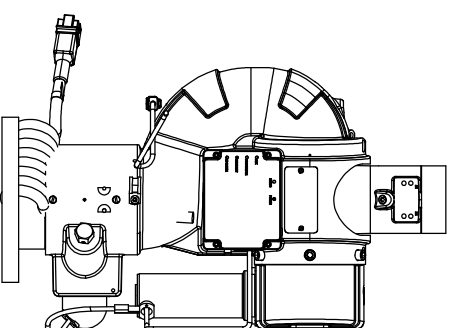
PITTMAN MOTORS:
INSERT WIRES THROUGH HOLE IN BODY.
SECURE WIRES W/ CLAMP LOOP.
CONNECT TO CONTROL MODULE.



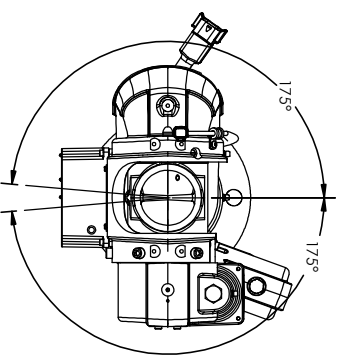
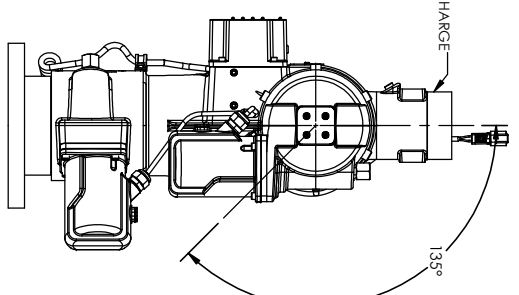
POSITION	WIRE SIZE	COLOR	FUNCTION
1	14 AWG	BLACK	GND
2	14 AWG	BLK/WHI	+ TRUCK POWER
3	14 AWG	RED	+ TRUCK POWER
4	14 AWG	RED/WHI	+ TRUCK POWER



ALLIED MOTORS:
INSERT WIRES THROUGH HOLE IN BODY.
SECURE WIRES W/ CLAMP LOOP.
CONNECT TO CONTROL MODULE.



PITTMAN AND ALLIED MOTORS:
SECURE NOZZLE WIRE W/ CLAMP LOOPS.
INSERT THROUGH LOWER SENSOR COVER.
CONNECT TO CONTROL MODULE.



<p>24181200 DEUTSCH WEDGE LOCK #W125-FO12</p>	
<p>ELKHART BRASS WIG CO., INC. 1715 24181200 DEUTSCH WEDGE LOCK #W125-FO12 WIG CO., INC. 1715 24181200 DEUTSCH WEDGE LOCK #W125-FO12 WIG CO., INC. 1715</p>	
DATE	12/13
REV.	02/03/2019
BY	KAS
CHKD BY	05/03/2019
APP'D	
DESCRIPTION	ELKHART BRASS Fire Fighting Equipment
SIZE	7200X2
CAD SCALE	1:4
SHEET	3 OF 3