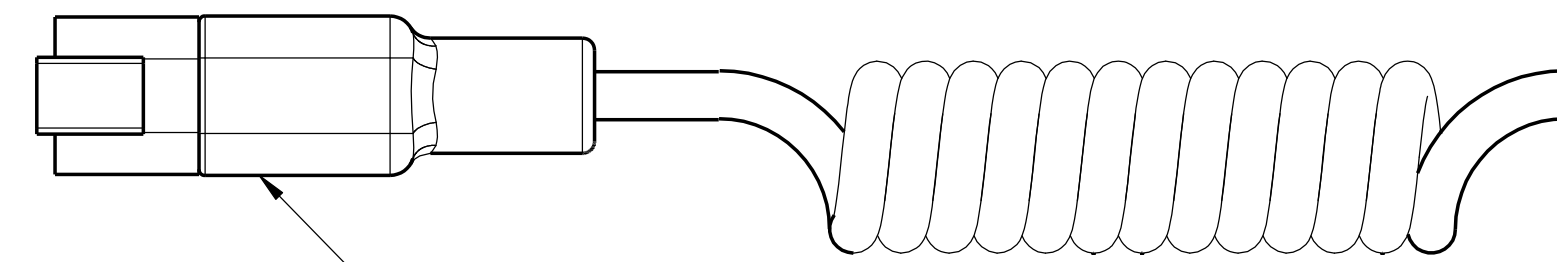


TO CIRCUIT BOARD P2				
POSITION	WIRE SIZE	COLOR	FUNCTION	
1	18 AWG	BROWN	HWADDR1	
2	18 AWG	WHITE	HWADDR2	
3	PLUG			
4	18 AWG	WHITE	P2-4-SIGNAL	
5	18 AWG	BLACK	P2-5-GND	
6	18 AWG	RED	P2-6-POWER	
7	18 AWG	RED	P2-7-POWER	
8	18 AWG	BLACK	P2-8-GND	
9	18 AWG	WHITE	P2-9-SIGNAL	
10	PLUG			
11	PLUG			
12	PLUG			

GREEN CONNECTOR TO CIRCUIT BOARD SOCKET P2

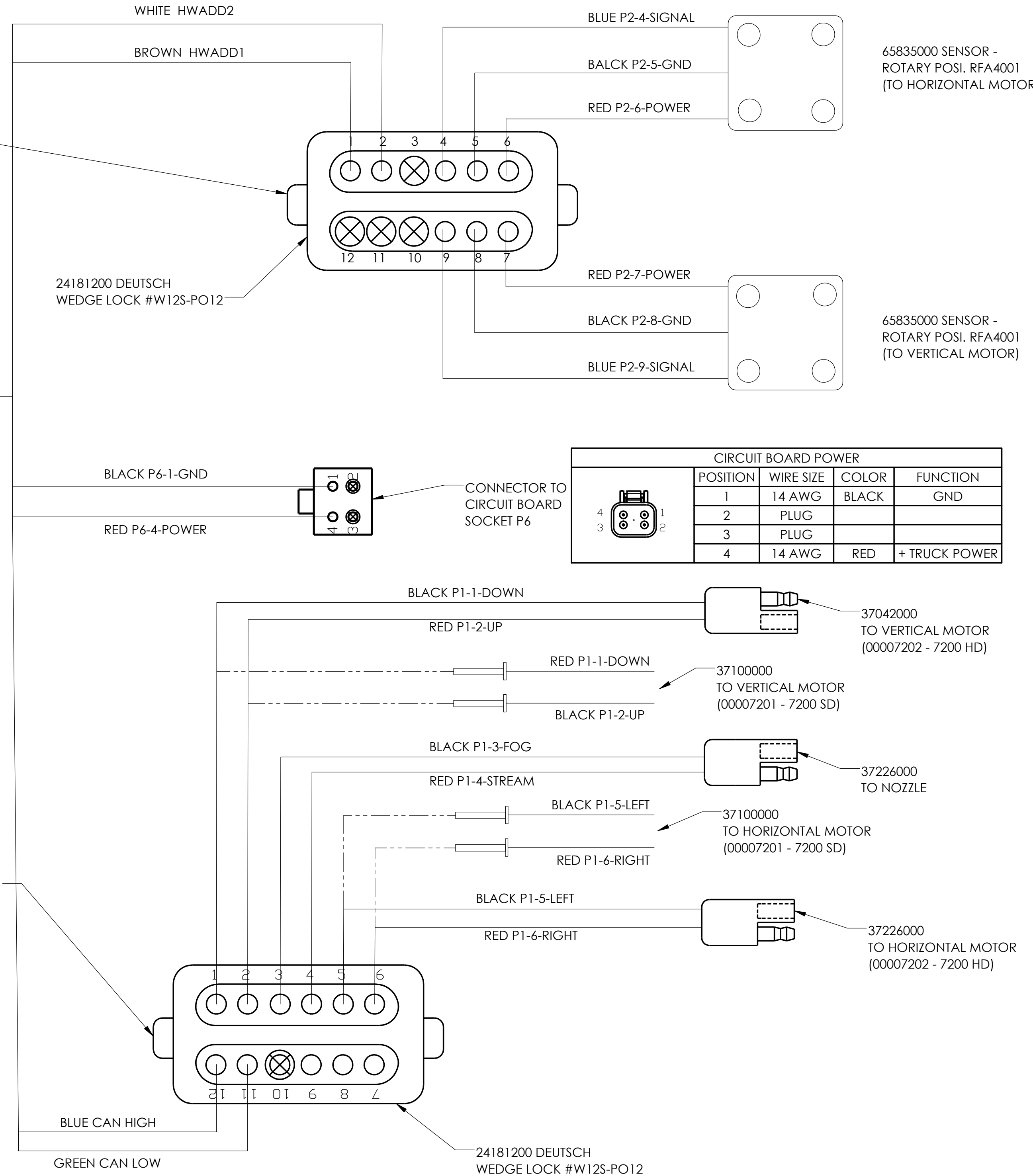


37038100 POWER/CAN HARNESS

INPUT POWER HARNESS (DIO4-6P)				
POSITION	WIRE SIZE	COLOR	FUNCTION	
1	18 AWG	BLUE	CAN HIGH	
2	12 AWG	BLACK	GND	
3	18 AWG	BROWN	HWADDR1	
4	18 AWG	WHITE	HWADDR2	
5	14 AWG	RED	+TRUCK POWER	
6	18 AWG	GREEN	CAN LOW	

TO CIRCUIT BOARD P1				
POSITION	WIRE SIZE	COLOR	FUNCTION	
1	18 AWG	BLACK	P1-1-DOWN	
2	18 AWG	RED	P1-2-UP	
3	18 AWG	RED	P1-3-STREAM	
4	18 AWG	BLACK	P1-4-FOG	
5	18 AWG	BLAC	P1-5-LEFT	
6	18 AWG	RED	P1-6-RIGHT	
7	PLUG			
8	PLUG			
9	PLUG			
10	PLUG			
11	18 AWG	GREEN	CAN LOW	
12	18 AWG	BLUE	CAN HIGH	

GRAY CONNECTOR TO CIRCUIT BOARD SOCKET P1

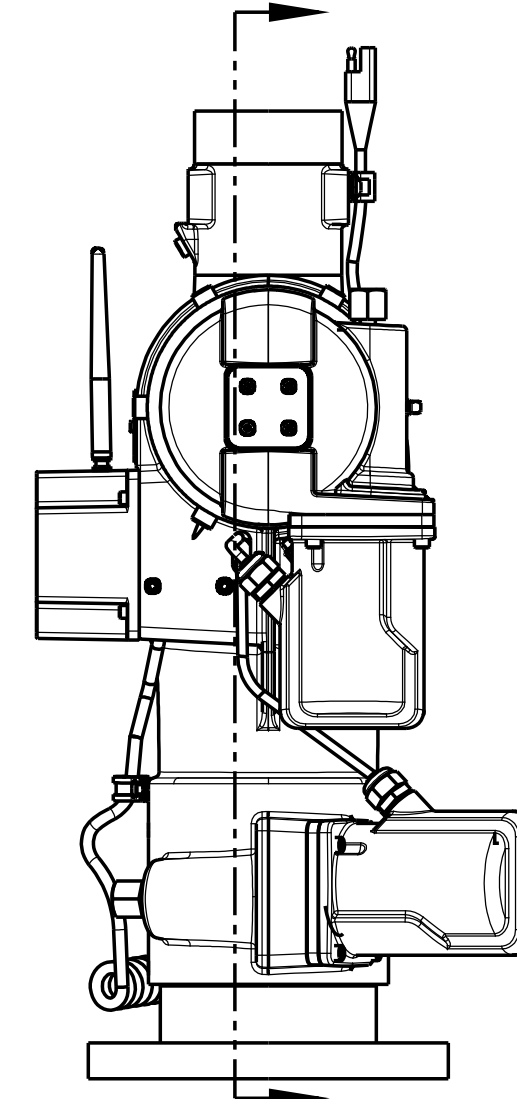


65835000 SENSOR - ROTARY POSI. RFA4001 (TO HORIZONTAL MOTOR)

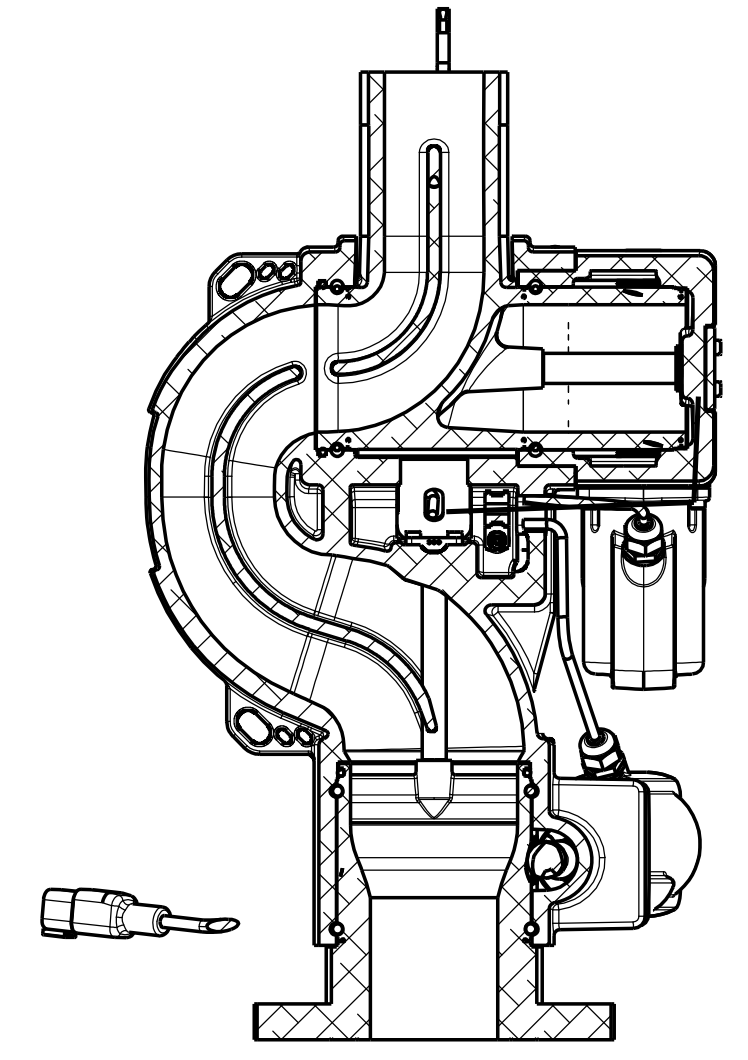
65835000 SENSOR - ROTARY POSI. RFA4001 (TO VERTICAL MOTOR)

CIRCUIT BOARD POWER				
POSITION	WIRE SIZE	COLOR	FUNCTION	
1	14 AWG	BLACK	GND	
2	PLUG			
3	PLUG			
4	14 AWG	RED	+ TRUCK POWER	

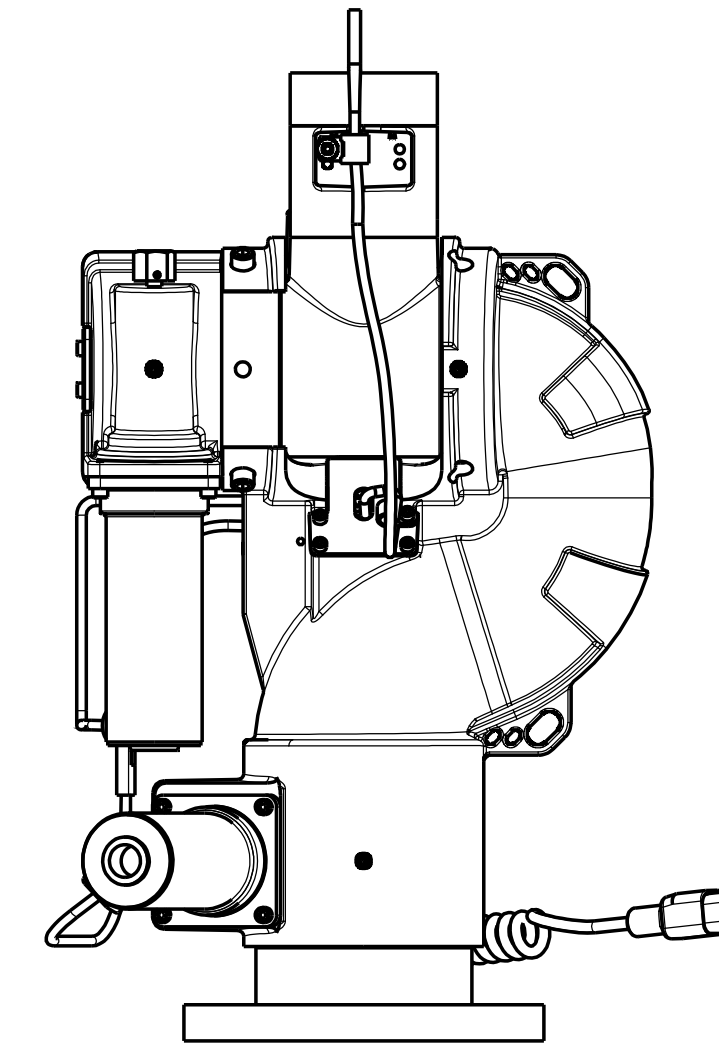
SD AND HD MOTORS: SECURE POWER HARNESS W/ CLAMP LOOP AS SHOWN BELOW.



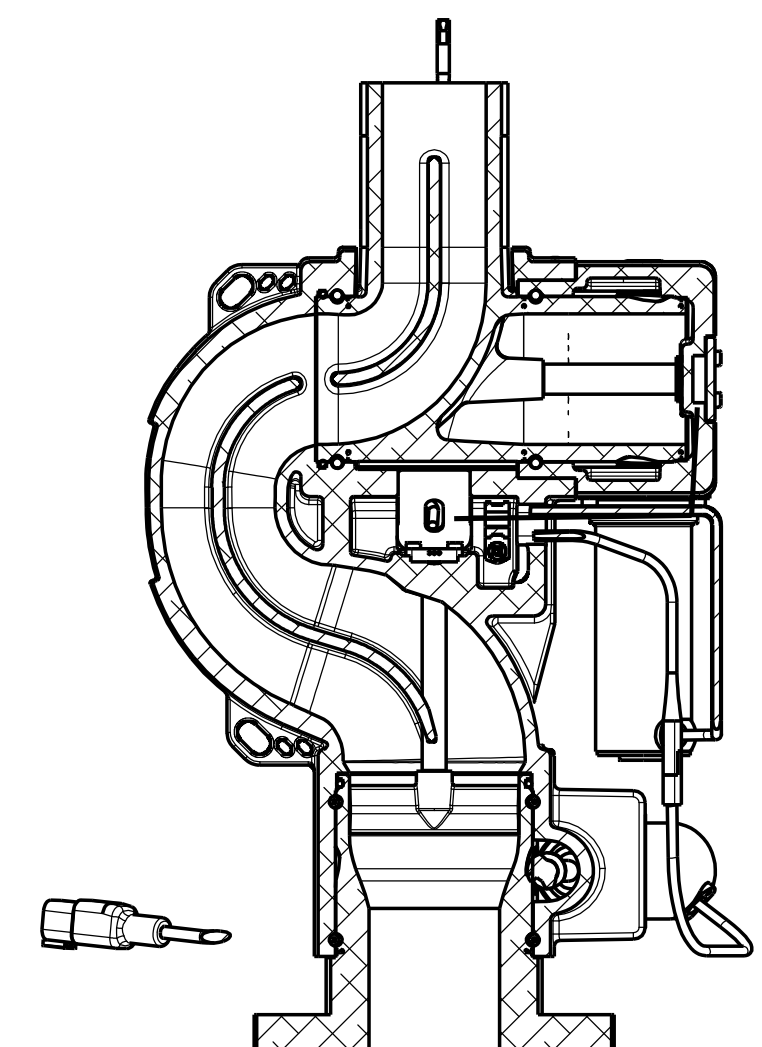
SD MOTORS: INSERT WIRES THROUGH HOLE IN BODY. SECURE WIRES W/ CLAMP LOOP. CONNECT TO CONTROL MODULE.



SD & HD MOTORS: SECURE NOZZLE WIRE W/ CLAMP LOOPS. INSERT THROUGH LOWER SENSOR COVER. CONNECT TO CONTROL MODULE.



HD MOTORS: INSERT WIRES THROUGH HOLE IN BODY. SECURE WIRES W/ CLAMP LOOP. CONNECT TO CONTROL MODULE.



7200 SD & HD WIRING DIAGRAM

(WIRING IS THE SAME FOR 7250 SD & HD MONITOR VERSIONS)

ELKHART BRASS MFG. CO., INC. <small>#1302 West Brookhollow Ave. Elkhart, IN 46514, USA</small> <small>This print and all data contained hereon is the sole and exclusive property of Elkhart Brass Mfg. Co., Inc. and shall not be disclosed to others without the consent of Elkhart Brass Mfg. Co., Inc. This print must be returned to Elkhart Brass Mfg. Co., Inc. if requested.</small> <small>Copyright © 2012 by Elkhart Brass Mfg. Co., Inc.</small>		DRAWN BY: KAP CHECKED BY: DATE: 08/04/2015	ELKHART BRASS Fire Fighting Equipment
MATERIAL: N/A	WEIGHT (LBS):	DESCRIPTION: 7200 & 7250 WIRING DIAGRAM	
TOLERANCE UNLESS OTHERWISE SPECIFIED: 1 PLACE DEC. ±.12"	UNLESS OTHERWISE SPECIFIED: DIMENSIONS ARE IN INCHES DO NOT SCALE PRINT	ASSEMBLY	SIZE: 7200
2 PLACE DEC. REF.	INTERPRET DIMENSIONS AND TOLERANCES PER ASME Y14.5M 1994	THIRD ANGLE PROJECTION	CATALOG NO. 7200
ANGLES ±1°	CAD MODEL:	CAD SCALE: 1:4	SHEET 1 OF 1

7200 & 7250 WIRING DIAGRAM