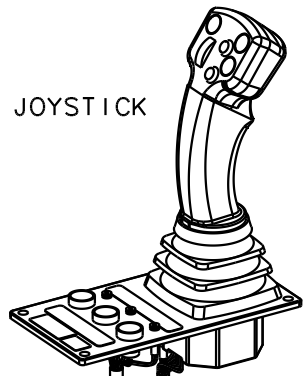
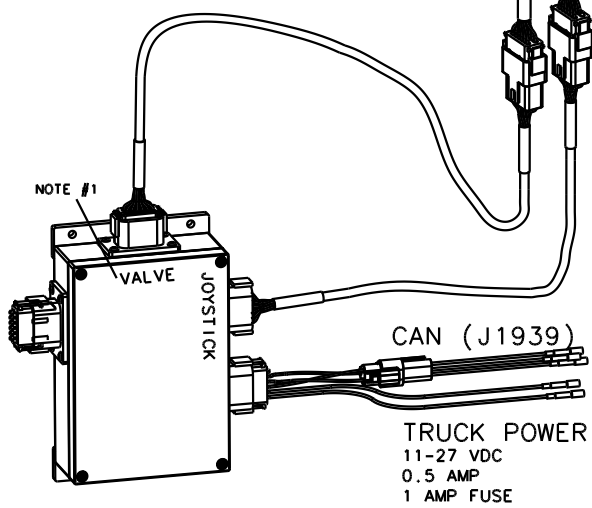


MONITOR
7161 UHP



JOYSTICK

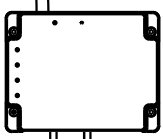


NOTE #1

VALVE
JOYSTICK

CAN (J1939)

TRUCK POWER
11-27 VDC
0.5 AMP
1 AMP FUSE




INTERFACE
MODULE

TRUCK POWER
11-27 VDC
11 AMP
15 AMP FUSE

CAN (J1939)

NOTES:
1. VALVE CONTROL IS FOR END USER
SUPPLIED VALVE.

 ELKHART BRASS MFG. CO., INC. ELKHART, INDIANA	
<small>THIS DRAWING CONTAINS INFORMATION THAT IS PROPRIETARY TO ELKHART BRASS MFG. CO., INC. AND MAY NOT BE USED TO PRODUCE ANY PARTS, ASSEMBLIES OR PRODUCTS DESCRIBED HEREIN WITHOUT EXPRESS WRITTEN PERMISSION.</small>	
SIDEWINDER UHP EXM PAGE 1 OF 1 04/2013	CONFIGURATION DRAWING