



PRESSURE RESTRICTING

Pressure Restricting

Elkhart's pressure restricting valves all feature rugged cast brass construction in your choice of finishes. The pressure restricting valves feature rubber seats and are rated for use at 175 psi (12.15 bar). Although factory setting is recommended, all the pressure restricting valves are field-settable.

Pressure restricting valves:

- Reduce pressure under flowing conditions
- Allow fire departments to override settings in emergency conditions

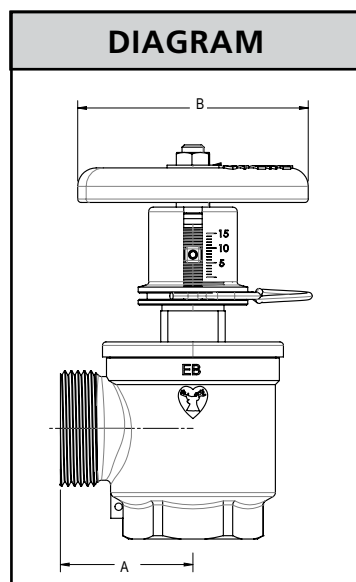
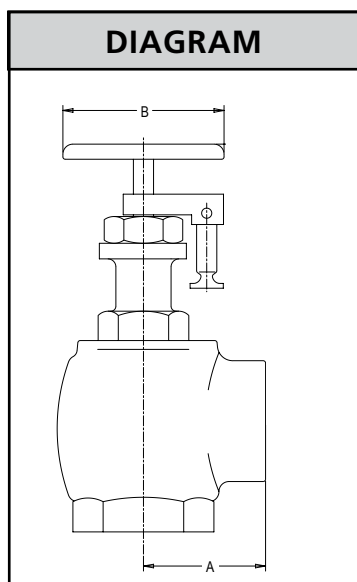
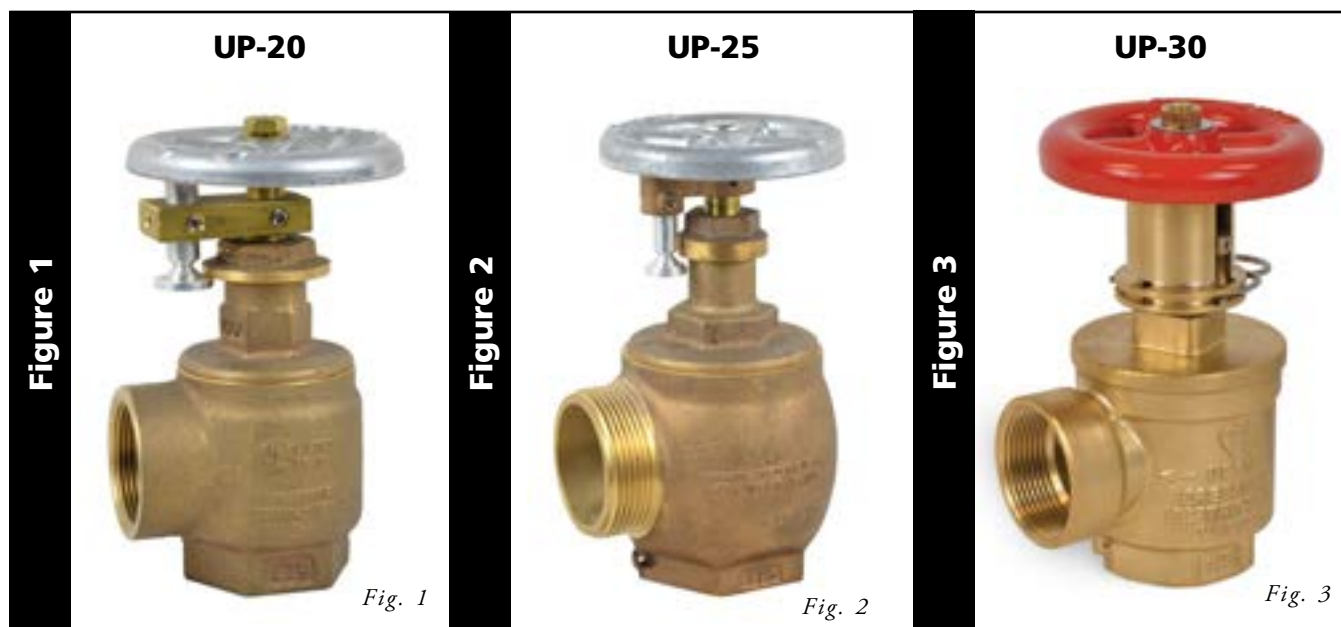


**UP Series valves
not intended for
use in salt water
applications.**



INLET SIZES		OUTLET SIZES				CERTIFICATIONS	BRASS FINISH			DIMENSIONS (Inches)					Weight (Lbs.)	MODEL	FIGURE	
Female		Female		Male			UL Listed	Cast	Polished	Chrome Polished	Swing Radius	A	B	Height				
1½"	2½"	1½"	2½"	1½"	2½"									Open				Closed
•		•				•	s	o	o	2½	2 ⁷ / ₁₆	4	7 ⁷ / ₈	6 ⁷ / ₈	6	UP-20-1.5	1	
	•		•			•	s	o	o	3 ⁵ / ₈	3 ¹ / ₄	5	11	9 ³ / ₈	11 ³ / ₄	UP-20-2.5	1	
•				•		•	s	o	o	2½	2 ¹ / ₈	4	7 ⁷ / ₈	6 ⁷ / ₈	6	UP-25-1.5	2	
	•				•	•	s	o	o	3 ⁵ / ₈	3 ¹ / ₄	5	11	9 ³ / ₈	11 ³ / ₄	UP-25-2.5	2	
•				•		•	s			2 ⁷ / ₈	2 ⁷ / ₁₆	3 ¹⁵ / ₁₆	6 ⁴⁷ / ₆₄	7 ¹⁹ / ₃₂	4 ⁷ / ₁₀	UP-30-1.5	3	
	•				•	•	s			3 ³ / ₄	3 ¹⁷ / ₆₄	5	10 ⁴⁹ / ₆₄	9 ⁷ / ₆₄	9 ³ / ₁₀	UP-35-2.5	3	

KEY s = standard o = option



ADDITIONAL INFORMATION

All valves can be factory set. To order any of the valves listed here factory set, customer must provide residual inlet pressure, desired residual outlet pressure, and flow rate. Please see ordering form on page G-8.

OTHER PRODUCTS

For valves that reduce pressure in no-flow situations please see our Pressure-Matic (page 10-3) or URFA (page 10-1) valves.

THREADS

Female inlet and outlet information is in NPT unless otherwise specified. Male outlet standard is NHT. Contact Elkhart Brass for alternative outlet thread options.