

# MONITORS



MAGNUM™ EXM2

MONITORS

## Magnum™ EXM<sup>2</sup>

With its large 6" inlet and unique waterway, the 7600 EXM is capable of providing 5000 GPM (18925 LPM) flow where you need it most. Designing the 7600 to be a part of the EXM2 family ensures the same level of quality and durability the industry has come to know. In addition, it has the same programmable EXM features such as 3D travel limits, keep-out zones, travel speeds, stow position, and oscillation.

- 5000 GPM flow
- Large range of travel: -60° to +90° vertical & L175° to R175° horizontal
- Patented, elliptical waterway is Teflon impregnated, hard anodized aluminum alloy
- Programmable travel speeds, 3D travel limits, keep out zones, stow and oscillation

5-10

Magnum™ EXM  
Mo. 7600  
(Nozzle sold separately)

CM-3000E & CM-5000E  
Master Stream Nozzles

6" NHT Discharge

Sealed High-Torque Motors

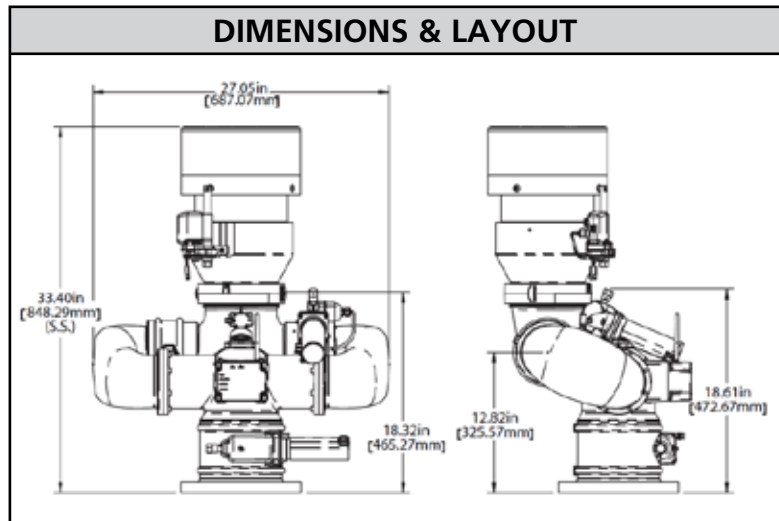
Manual Overrides

6" 150# Flange

5000  
GPM  
20,000  
LPM

200  
PSI  
13.8  
bar

SPECIFICATIONS	
Model:	7600X2
Max Flow:	5000 GPM (20,000 LPM)
Max Pressure:	200 PSI (13.8 bar)
Inlet:	6" 150# Flange
Outlet:	6" NHT
Travel:	Vertical: -60° to +90° (150°) Horizontal: L175 to R175 (350°)
Voltage:	12 or 24 VDC compatible
Control:	CANbus J1939
Communication:	915 MHz RF - FCC 868 MHz RF - CE
Material/Finish:	Teflon impregnated, hard anodized Elk-O-Lite®
Stow Height:	18.6" (472mm)
Weight:	115 lbs (52 kg) including nozzle



### Recommended Products



### Components & Options Chart

COMPONENTS & OPTIONS			ILLUSTRATION	MODEL
Electric Nozzles	CM Series Fixed	6" Inlet: 3000 GPM (11355 LPM) @ 80 PSI (5.5 BAR)	6	CM-3000E
		6" Inlet: 5000 GPM (18925 LPM) @ 100 PSI (6.9 BAR)	6	CM-5000E
		6" Inlet: 3000 GPM (11355 LPM) @ 130 PSI (13.8 BAR)	6	CM-3000EX
Controllers	EXM2 Panel Mount Controller	Complete panel mount operator control suitable for 2-wire connection to any EXM2 enabled component.	2	7010X2
	EXM2 Wireless Handheld Controller Kit	Wireless remote control with powered docking station. Built-in charging circuit charges the remote whenever it is placed in the docking station.	3	7015X2
	EXM2 Joystick Controller	Proportional joystick with integrated CANbus communication. Hardwire joystick direct via CANbus to any EXM2 monitor.	4	7030X2
Modules	EXM Position Display Module	Monitor vertical and horizontal position display unit suitable for 2-wire connection to any EXM enabled component.	5	7051X2
	EXM CAN Stow Module	Connects to lockout devices to prevent equipment damage due to an improperly positioned monitor.	8	7095
Accessories	Light Kit	Includes 3500 lumen FRC WorkPro spotlight, mounting bracket and power harness.	7	7093L
	Video Kit	Includes camera and mounting bracket, 7" color monitor and harnesses.	Not Pictured	7093V