

MASTER STREAM



FIXED SYSTEM

Fixed System

Designed for use in fixed system applications. Adjustable nozzles can be pre-set at the factory or set in the field at time of installation. The fog pattern, which can be set up to 120°, can easily be set or adjusted at the job site.



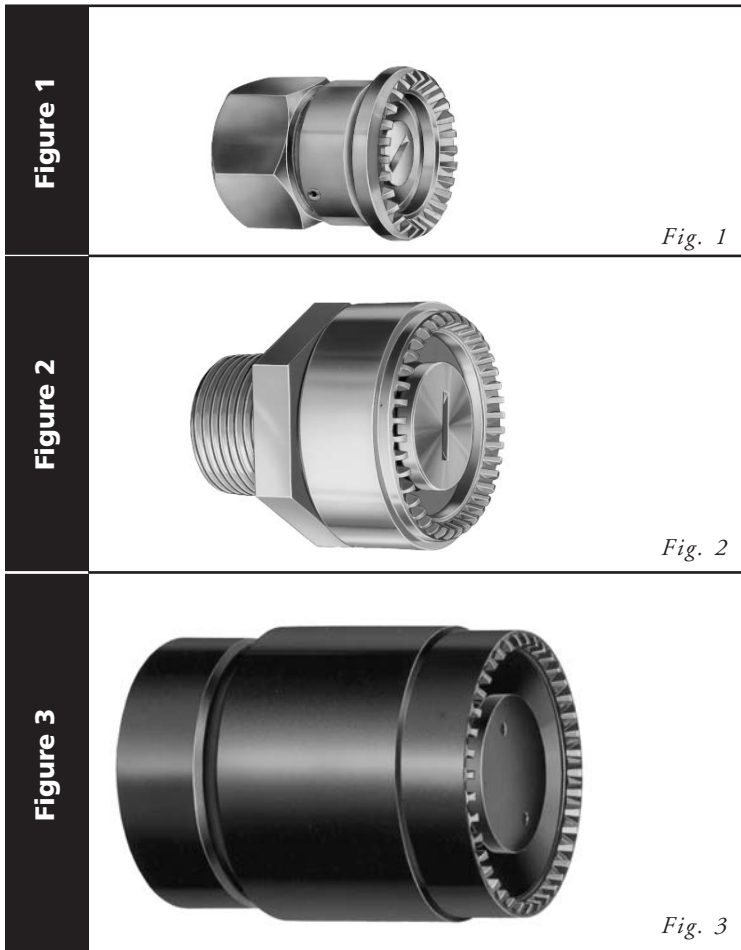
MASTER STREAM

6-17

Base Size	ADJUSTABLE FLOW RATES GPM (LPM)			STANDARD FLOW RATES GPM (LPM)			INLET OPTIONS		MATERIAL		MODEL	FIGURE
	5-40 (20-150)	40-100 (150-380)	100-250 (380-850)	350 (1325)	500 (1890)	1000 (3780)	Male	Female	Brass	Elk-o-Lite®		
	PSI (BAR) 100 (6.89)											
0.75"	•						s	o	•		NTS-C	1
1.0"		•					s	o	•		NTL-C	2
1.5"			•				s		•		NT-C	2
2.5"				•				s		•	NT-350-C	3
					•			s		•	NT-500-C	3
						•		s		•	NT-1000-C	3

KEY s = standard o = option
 NOTE: Fog pattern can be set up to 120°

FIXED SYSTEM CONFIGURATIONS



OPTIONS
THREADS
<i>All nozzles are rigid NPT connections unless otherwise specified. See index T-12 for optional base threads.</i>

Figures depict general product types only and are not intended to be inclusive of all product features.