

SIDEWINDER® EXM

Compact, high-flow, electric remote controlled water monitor (water cannon) for fire apparatus, ARFF, military, construction, and mining vehicles.

The Sidewinder EXM is the first water monitor to utilize the new EXM control platform from Elkhart Brass. Developed as the successor to the radio frequency (RF) control series, the EXM operating system is a "plug and play" digital communication and control architecture that simplifies installation while greatly expanding builder and user selectable options.

In addition to incorporating EXM, the Sidewinder has been further updated to employ Elkhart's patented elliptical waterway and axially aligned thrust bearings for a 58% increase in flow efficiency, vs. the traditional Sidewinder, and 10 times greater durability.



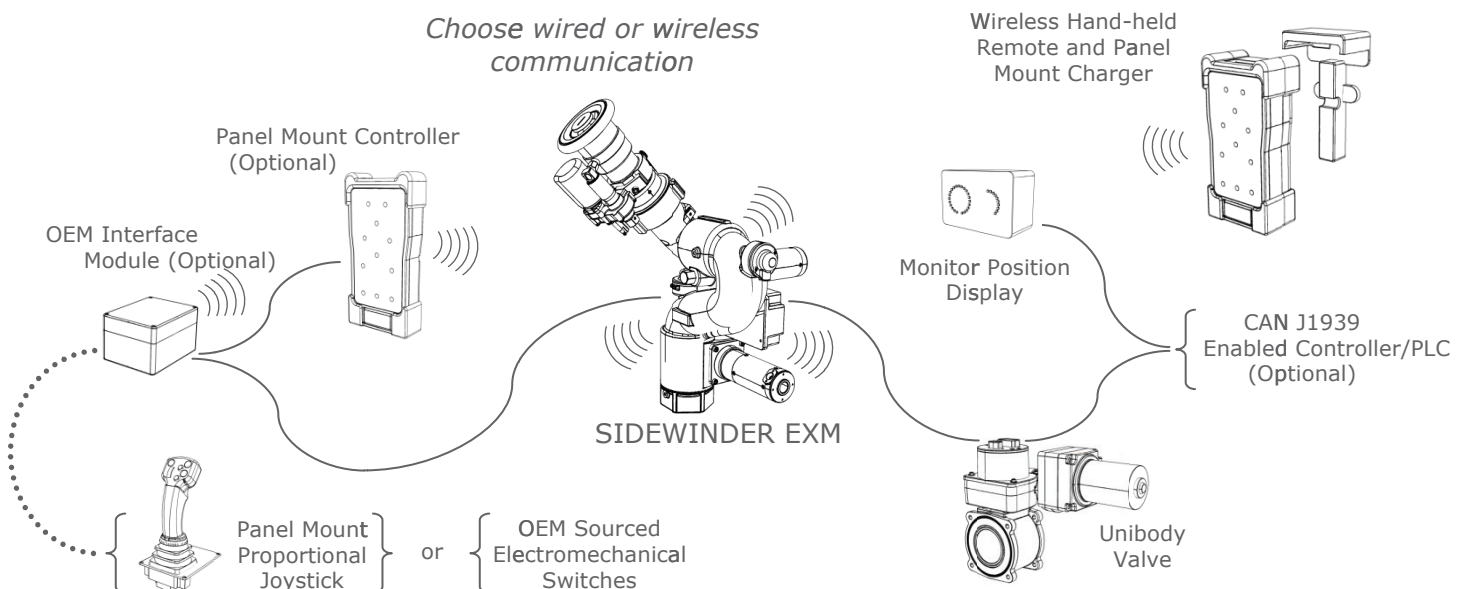
SIDEWINDER® EXM Monitor

Mechanical Features:

- Sealed to NEMA 6 (complete submersion)
- Patented elliptical waterway
- 700 GPM flow
- Axially aligned thrust bearings
- Absolute position sensors
- Manual travel override
- Fully potted electronics
- Teflon impregnated, hard anodized aluminum alloy waterway
- Extreme torque motors
- High efficiency sealed planetary gearboxes

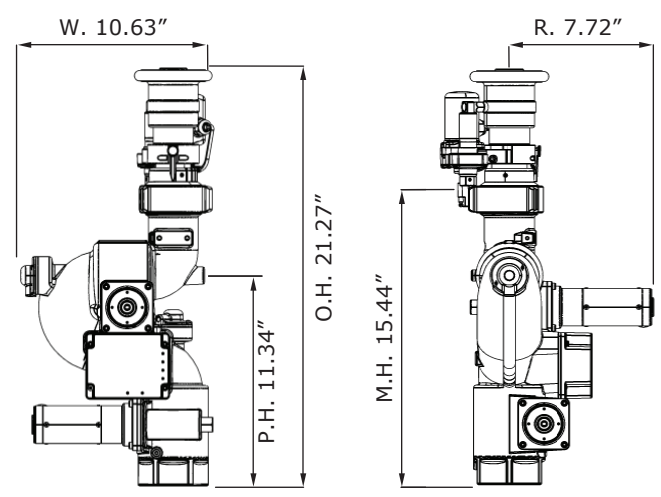
Control Features:

- Universal input voltage 11-27VDC
- Wired or wireless communication
- CAN bus J1939 compatible
- Programmable travel speeds
- Single speed, two speed, or fully proportional speed control
- Programmable 3D travel limits
- Programmable block out zones
- Programmable stow
- Programmable oscillation
- Integration water valve control
- Position display

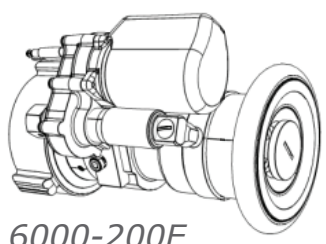
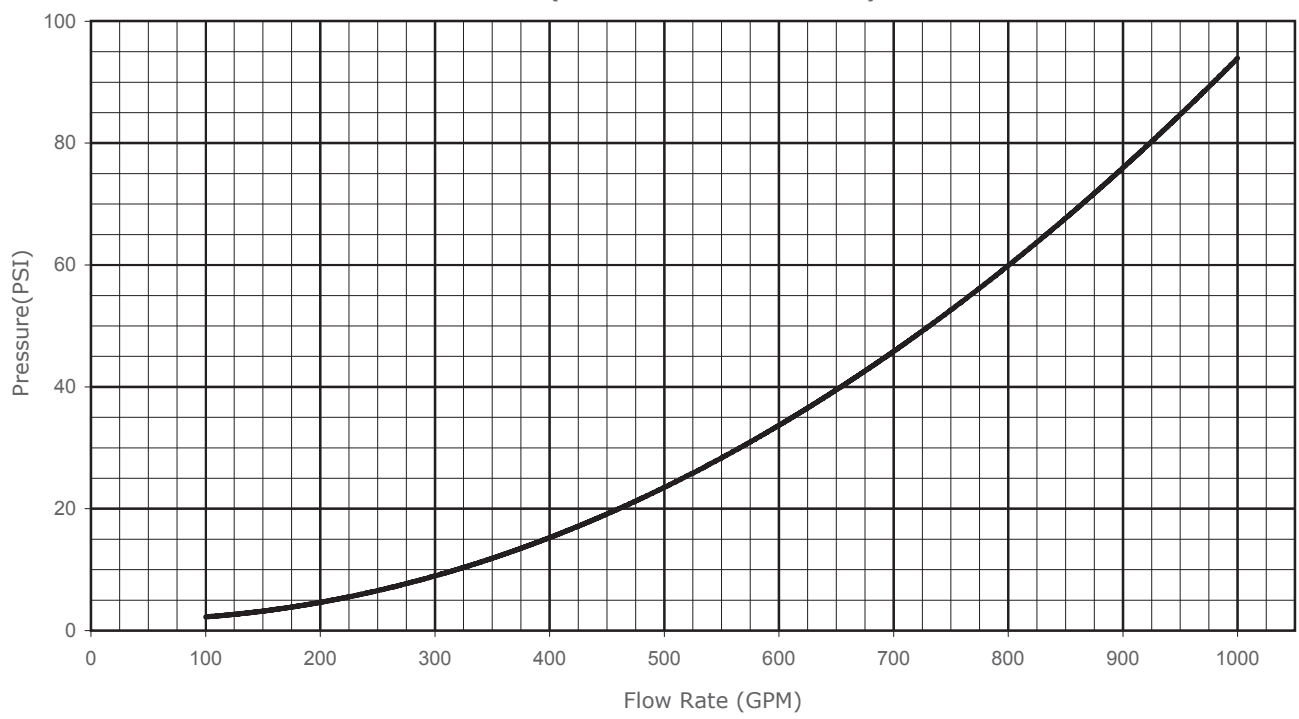


SIDEWINDER® EXM Monitor

SPECIFICATIONS	
Model	7100
Inlet	2.5" NPT
Outlet	2.5" NHT
Travel	V -45° to +90° H L175° to R175°
Voltage	11-27 VDC
Control	Sealed electric motors
Control Communication	CAN bus (J1939) 2.4 GHz digital radio frequency (unlicensed)
Weight	19 lbs.
Max Pressure	500 psi



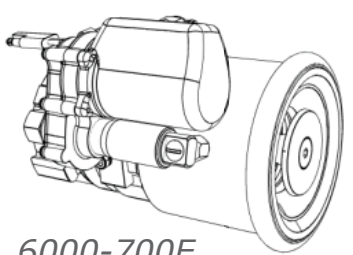
**7100 Sidewinder EXM Static Pressure Drop
(2.5" Inlet and 2.5" Outlet)**



6000-200E

6000 Series Master Stream Nozzles

The 6000-200E and 6000-700E are two electrically actuated master stream nozzles for use with the Sidewinder EXM monitor. The 6000 series nozzles feature an ultra wide flow range with a quick-turn, locking flow selector ring. The electric actuators are completely sealed and allow precise pattern control from straight stream to wide fog.



6000-700E

SPECIFICATIONS			
Model	Inlet	Pressure	Flow Settings (GPM)
6000-200E	2.5"	100 psi	15/30/45/60/95/125/150/200/FLUSH
6000-700E			250/350/500/700/FLUSH