

Ordering Guide

COBRA™ EXM²



**COBRA™
MAX**

Select a monitor

_____ 7200X2SD Cobra Standard Duty	1250 GPM (5000 LPM)	_____ MAX
_____ 7200X2HD Cobra Heavy Duty	1250 GPM (5000 LPM)	_____ MAX
_____ 7250X2SD Cobra Standard Duty	1500 GPM (6000 LPM)	_____ MAX
_____ 7250X2HD Cobra Heavy Duty	1500 GPM (6000 LPM)	_____ MAX

MAX Color Options

_____ Gloss Red
_____ Gloss Gray
_____ Gloss Black
_____ Matte Black

Select inlet option

- _____ 3.0" 150# Flange
- _____ 4.0" 150# Flange
- _____ 3.0" NPT F
- _____ 3.0" BSPT F
- _____ DN80-PN16

Select outlet option

- _____ 2.5" NHT M (7200 only)
- _____ 2.5" BSPP M (7200 only)
- _____ 3.5" NHT M (7250 only)
- _____ 3.5" BSPP M (7250 only)

Recommended stream shapers

(reduces turbulence in the water and improves overall stream quality and reach)

- _____ 282-A – 2.5" NHT F
- _____ 284A – 3.5" NHT F
- _____ 284-A – 3.5" BSPP x BSPP

Nozzle options

- _____ SM-1000E (D) – 2.5" inlet
- _____ SM-1000E (D) – 3.5" inlet
- _____ SM-1250E (D) – 2.5" inlet
- _____ SM-1250E (D) – 3.5" inlet
- _____ SM-1500E (D) – 3.5" inlet
- _____ ST-194 – 2.5" NHT F inlet Quad Stacked Tips
- _____ ST-195 – 3.5" NHT F inlet Triple Stacked Tips

Select input controllers

- _____ 7010X2 Panel Mount Controller
- _____ 7015X2 Wireless Handheld Package (must select FCC or CE version below)
 - _____ FCC application (915 MHz)
 - _____ CE application (868 MHz)
- _____ 7030X2 Proportional Joystick

Accessory options

- _____ 7051X2 Position Display (provides horizontal and vertical monitor position via LED display)

Recommended Water Valve – EB30 Ball Valve, EB35 Ball Valve, or EB4B Butterfly Valve

Refer to the Unibody Configurator at www.elkhartbrass.com/downloads/tools to select the appropriate valve and endcap package. The EB series of valves matched with the E14X/E16X Electric Actuator all have the capability of being controlled from any of the EXM2 input controllers listed above.

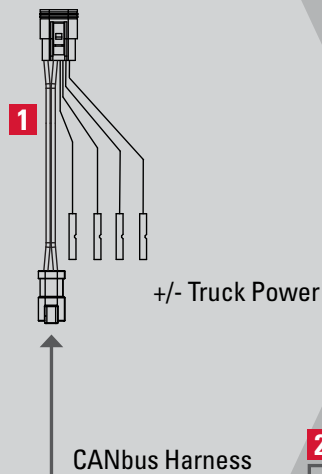
1-574-295-8330
www.elkhartbrass.com

ELKHART BRASS
FIRE FIGHTING EQUIPMENT A SAFE FLEET BRAND

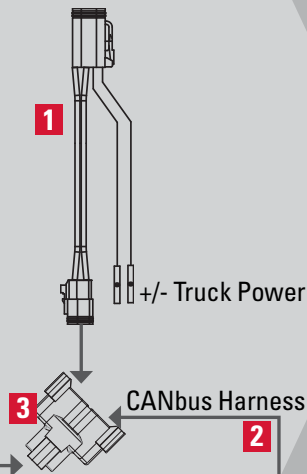


CANbus Harness Selector Guide

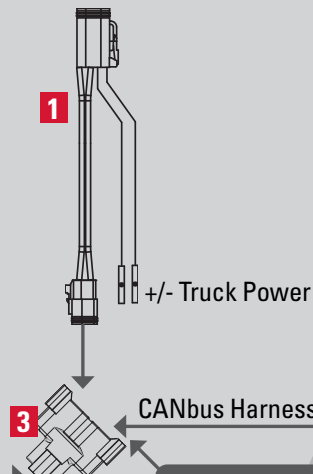
EXM2 MONITOR



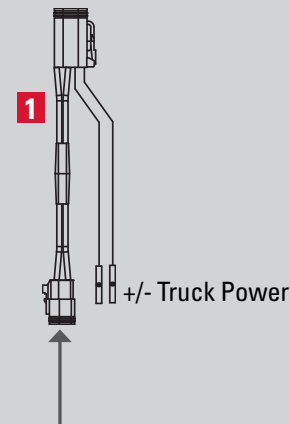
EXM2 COMPONENT



EXM2 COMPONENT



UNIBODY VALVE



To terminate without a Unibody valve, insert the CAN Termination Plug here. This represents the end of the CANbus network.

Each EXM2 monitor and component comes with a harness/pigtail (1) with wire leads for +/- truck power and wire leads for CANbus. The EXM2 monitor harness is equipped with two sets of truck power leads.

EXM2 components include Panelmount Controller, Joystick, Wireless Handheld Gateway Module and Position Display.

To construct the system, select a CANbus harness (2) by determining the distance between each component (select quantity and length below). Add a CAN Splitter (3) for each location where the CANbus will continue to the next component. The example above will require three (3) CANbus harnesses and two (2) CAN Splitters.

The monitor should be at one end of the CANbus network and if using a Unibody Valve with the system, the valve should be installed at the other end of the CANbus network as shown. For systems where the valve is NOT at the end of the network, refer to the APEX VALVE CONTROLLER Installation Manual at www.elkhartbrass.com/products/apparatus-valves/APEX/manuals.

The CANbus system requires termination at each ends of the network. Each EXM2 monitor and Unibody valve includes integrated termination. If the network is constructed as shown with monitor and valve on each end, no further termination is required. If a Unibody Valve is not part of the system, the last component opposite the monitor must be terminated using a CAN Splitter and CAN Termination Plug (select below).

_____ 37543002 - 2' CAN extension harness

_____ 37543010 - 10' CAN extension harness

_____ 37543015 - 15' CAN extension harness

_____ 37543020 - 20' CAN extension harness

_____ 37543030 - 30' CAN extension harness

_____ 37543040 - 40' CAN extension harness

_____ 24196000 - CAN Splitter

_____ 24197000 - CAN Termination Plug

1-574-295-8330
www.elkhartbrass.com





Components

Panel Mount Controller 7010X2

Designed to be mounted on a panel, the controller is hardwired directly to the monitor via CANbus. Compatible with 12 or 24VDC systems and rated to IP67.

Wireless Handheld Controller/Gateway 7015X2

The IP67 rated wireless remote control includes everything needed to operate a monitor, nozzle and optional Unibody valve from a safe location. The docking station with built-in induction charging system eliminates the need for replaceable batteries. The wireless controller comes pre-configured to communicate via RF to the Gateway Module. The module, with an external antenna, can then be mounted in a location convenient to the apparatus builder. The Gateway connects via CANbus harnesses directly to the monitor.

Joystick Controller 7030X2

The joystick controller is designed to be surface mounted in the vehicle cab, providing convenient and intuitive control of the monitor. Containing all of the EXM2 monitor controls, the joystick utilizes proportional speed control for precise positioning of the water stream. Operate a Unibody Valve using the joystick trigger or the OPEN/CLOSE buttons on the mounting plate. Integrating CANbus within the joystick design eliminates the need for an external module, simplifying installation and programming.

Position Display 7051X2

The Position Display provides instant feedback to the operator on the monitor's current position utilizing the signal from the monitor's integrated position sensors.

Panel Mount Controller



Wireless Handheld Controller & Gateway



Joystick Controller



Position Display

