

# DATA SHEET

## BoaX2™ 2000 Monitor

Model 7451X2

### 30° Extended vertical travel for enhanced maneuverability of the water stream

The efficient 4" vaned waterway and 3.5" discharge matched with an SM-2000E master stream nozzle delivers an effective stream while the power of the EXM2 provides all of the user-programmable options, including travel limits, oscillation, stow and keep-out zones.

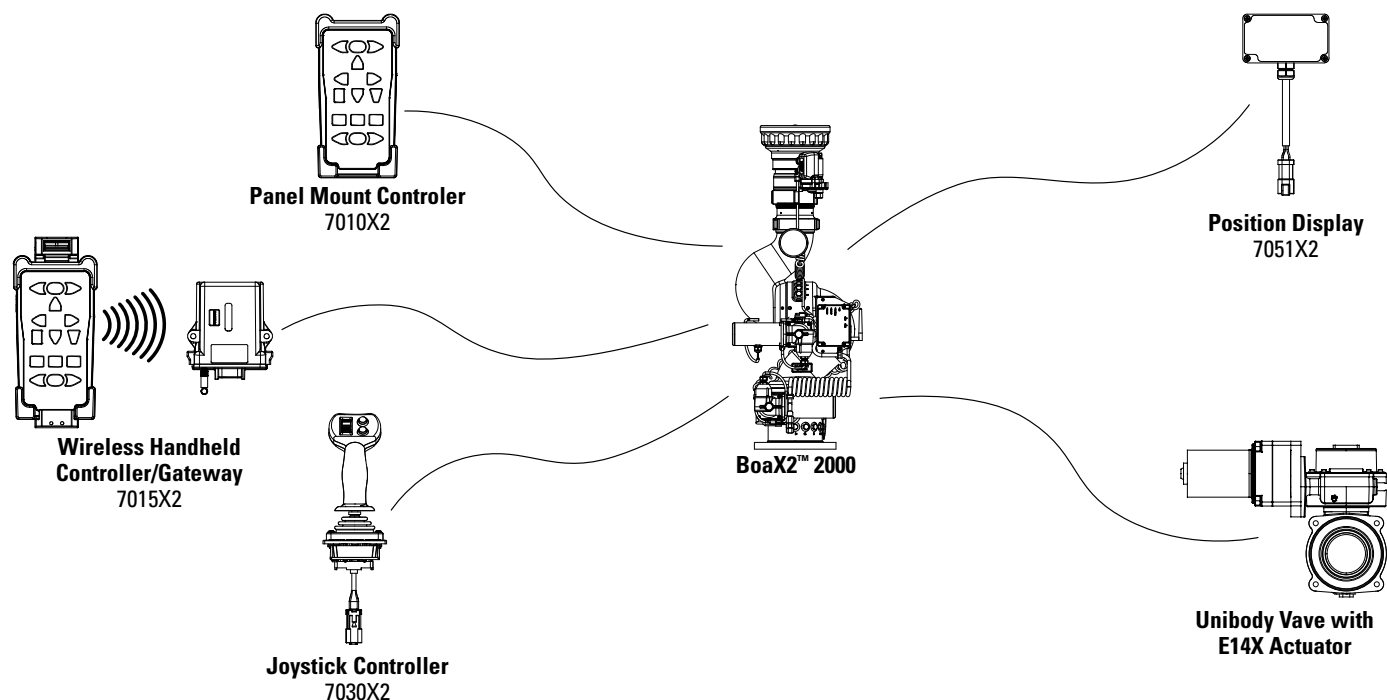


### Mechanical Features

- 2000 gpm (8000 LPM) Flow
- Motors and control components sealed to NEMA 4
- Axially aligned thrust bearings for extreme durability
- Absolute position sensors for precise control
- Manual override control in event of power failure
- Teflon impregnated, hard anodized aluminum alloy waterway
- Extreme torque motors

### Control Features

- 12 or 24VDC Compatible
- Wired or wireless control options
- CANBUS J1939 compatible
- Programmable STOW, DEPLOY and OSCILLATION
- Programmable travel limits and keep out zones
- Programmable travel speeds
- Integrated water valve control



1-574-295-8330  
[www.elkhartbrass.com](http://www.elkhartbrass.com)

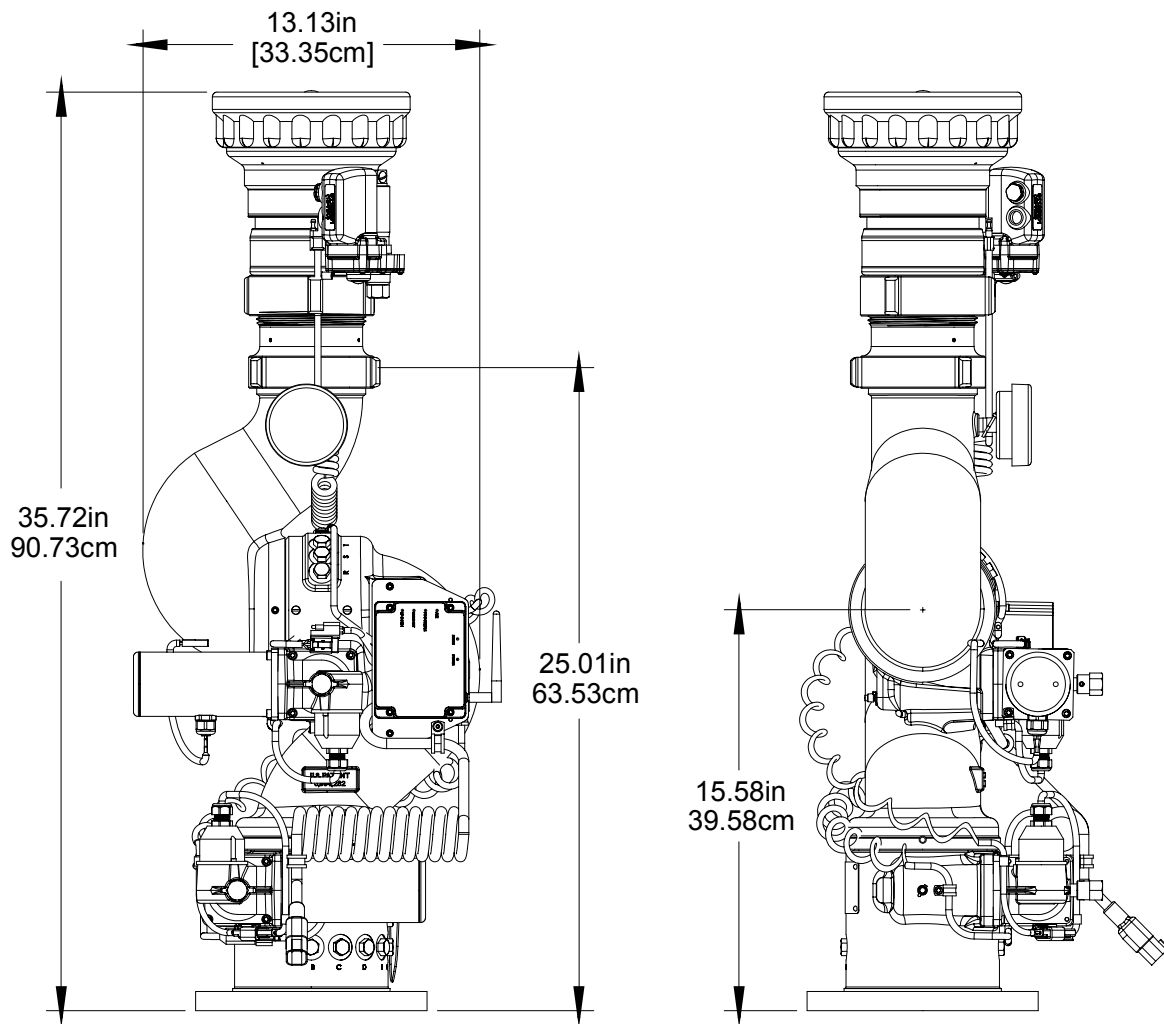
**ELKHART BRASS**  
FIRE FIGHTING EQUIPMENT A SAFE FLEET BRAND

# DATA SHEET

## BoaX2 2000 Monitor

### Specifications

<b>Model:</b>	7451X2
<b>Max Flow:</b>	2000 gpm (8000 LPM)
<b>Max Pressure:</b>	200 psi (14 BAR)
<b>Inlet:</b>	4" 150# Flange
<b>Outlet:</b>	3.5" NHT
<b>Travel (Field Selectable):</b>	Vertical: -45° to +120° (165°) w/ Extended Travel Horizontal: L175° to R175° (350°)
<b>Swing Radius:</b>	8.9" (226 mm) 360°
<b>Stow Height:</b>	20" (508 mm)
<b>Weight:</b>	47 lbs (21.3 kg)

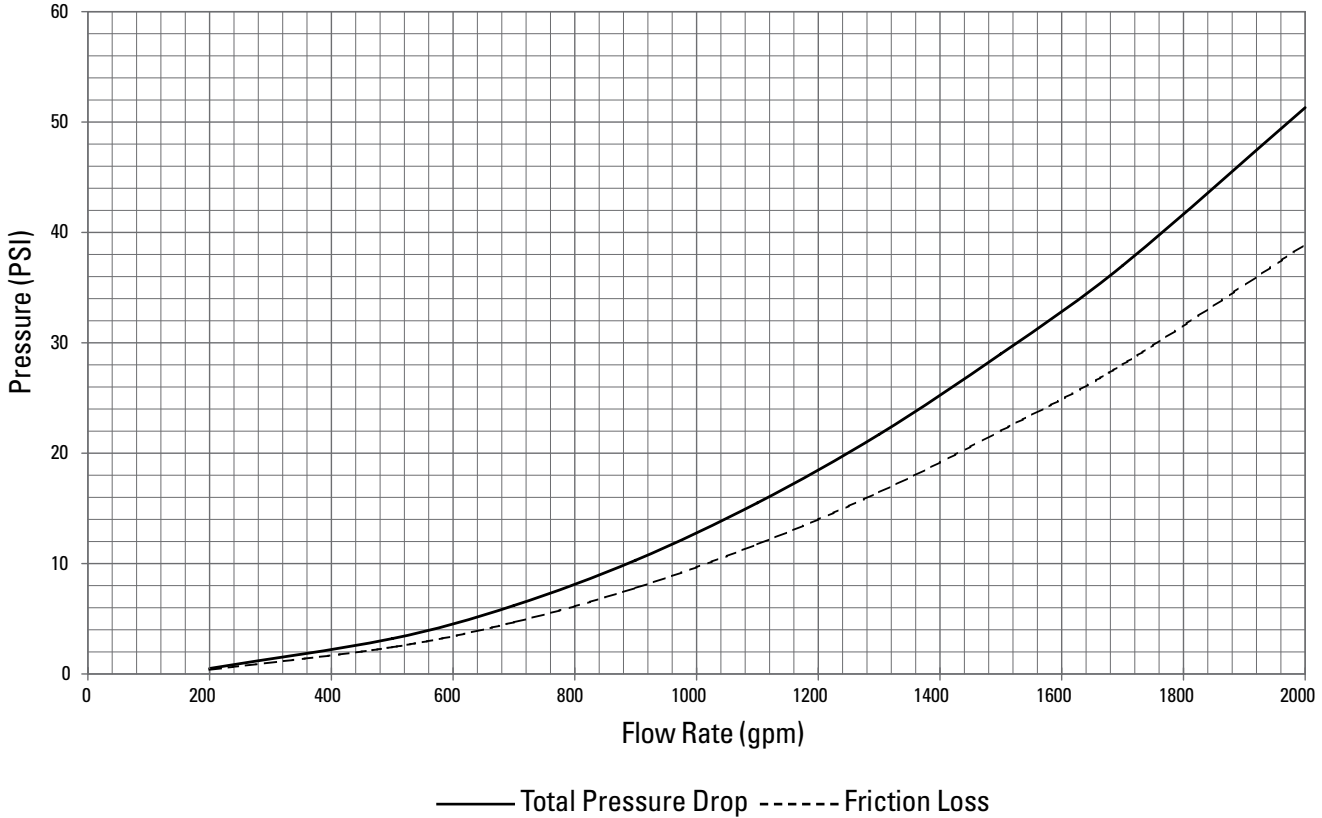


# DATA SHEET

## BoaX2 2000 Monitor

### BoaX2 Monitor Pressure Drop

3.0" Inlet and 3.5" Outlet

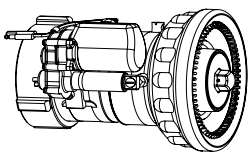


## X-Stream® Series Master Stream Nozzles

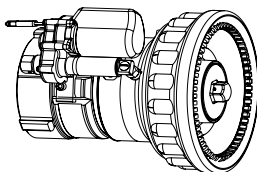
The SM-1500E & SM-2000E are two electrically actuated master stream nozzles for use with the BoaX2 2000 monitor. The X-Stream series nozzles automatically adjust to maintain an effective stream and maximum reach at variable or reduced flows. Electric actuators are completely sealed and allow precise pattern control from straight stream to wide fog.

#### Electric Nozzle Specifications

Model	Inlet	Pressure psi (BAR)	Flow Range - gpm (LPM)
SM-1500E	3.5"	70 (4.9)	500-1500 (2000-6000)
SM-2000E	3.5"	80 (5.6)	500-2000 (2000-8000)



SM-1500E



SM-2000E

