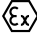


INDUSTRIAL MONITOR

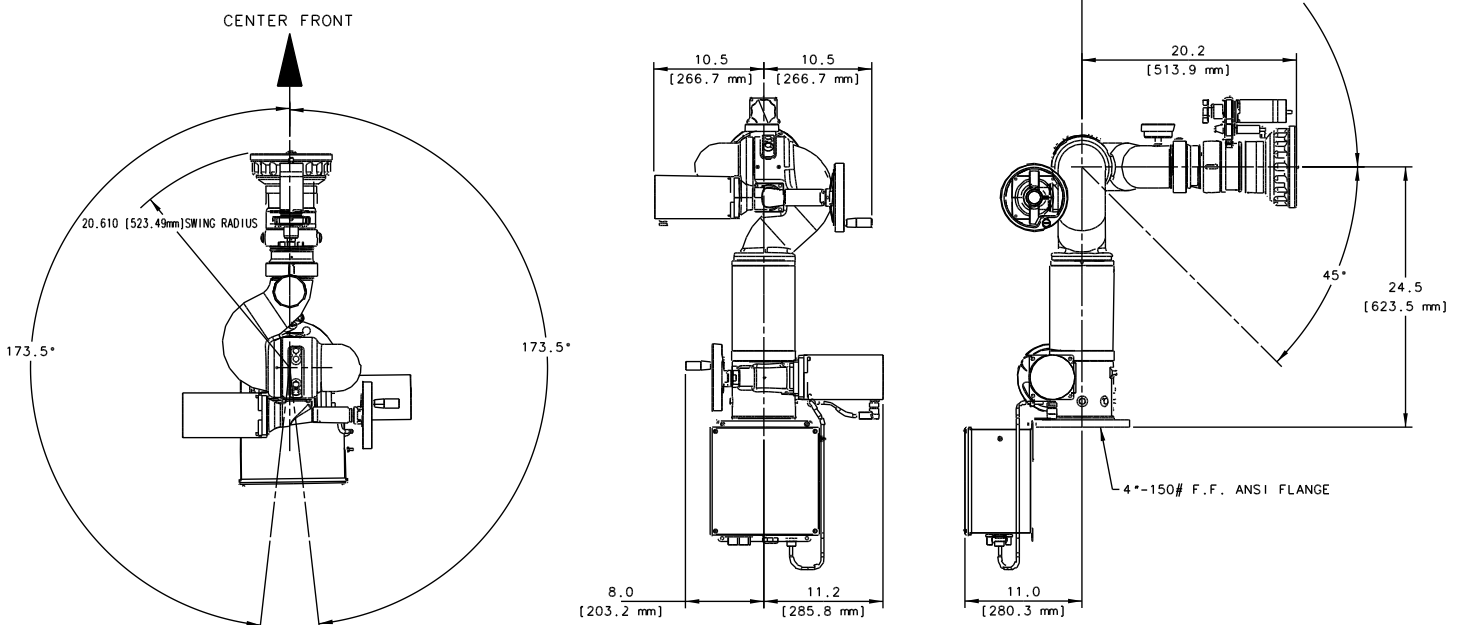
8394053 Brass Spit-Fire

Features

- **Construction:** All marine brass with vaned 4" waterway and #284-B brass stream shaper included
- **Motors:** AC, TENV synchronous motors (non-arcing)
 - Constant torque and current in start, running, and stall
 - UL recognized for Class I, Division 2 hazardous locations, IP67 rated
 - Will not cause damage or increase current draw when motor is stalled
 - Instantaneous start, stop, and reverse
 - Residual (power off) torque is always present
 - Long life and exceptional reliability
 - 120 VAC, 50/60 Hz., 1 Phase, 0.80 AMP current per motor
 - Suitable for continuous use and continuous oscillation
- **Rate of Horizontal Motion:** 0.139 Sec/°
- **Junction Box:** Corrosion resistant ATEX certified & UL listed enclosure includes terminals for hazardous locations. Stainless steel enclosure with bracket to attach to monitor, flange base included.
- Meets NEC (NFPA 70) Article 501 requirements for use in Class I, Groups A, B, C, & D, Division 2 T4 and Article 505  II (3) G [AEx] [nA] [IIC] T4 hazardous location areas.
- **FM Approved:** Includes whole monitor assembly (motors, cables, junction box, etc.)
 - FM approved for Class I, Division 2 use, Groups A, B, C, & D, T4
 - Motors and cables FM rated to IP67, Junction Box FM rated to IP66



Spit-Fire Monitor



SPIT-FIRE 8394053 MONITOR

SPECIFICATIONS	
Model	8394053
Max Flow	2000 GPM (7570 LPM)
Max Pressure	200 PSI (13.79 BAR)
Inlet	4"-150# ANSI flat face flange
Outlet	3.5" Male NHT
Travel	V: -45° to +90° (135°) H: L173° to R173° (346°)
Input Power	120 VAC (50/60Hz.) 2 Phase as supplied from MMCP
Electrical Load	2 AMPS per monitor / 0.80 AMPS per motor
Temp Range	-40°F to +185°F (-40°C to +85°C) with water flowing -18°F to +185°F (-28°C to +85°C) without water flowing
Weight	300 Lbs. (136 Kg.)

8394053 Spit-Fire Static Pressure Drop (4.0" Inlet and 3.5" Outlet)

